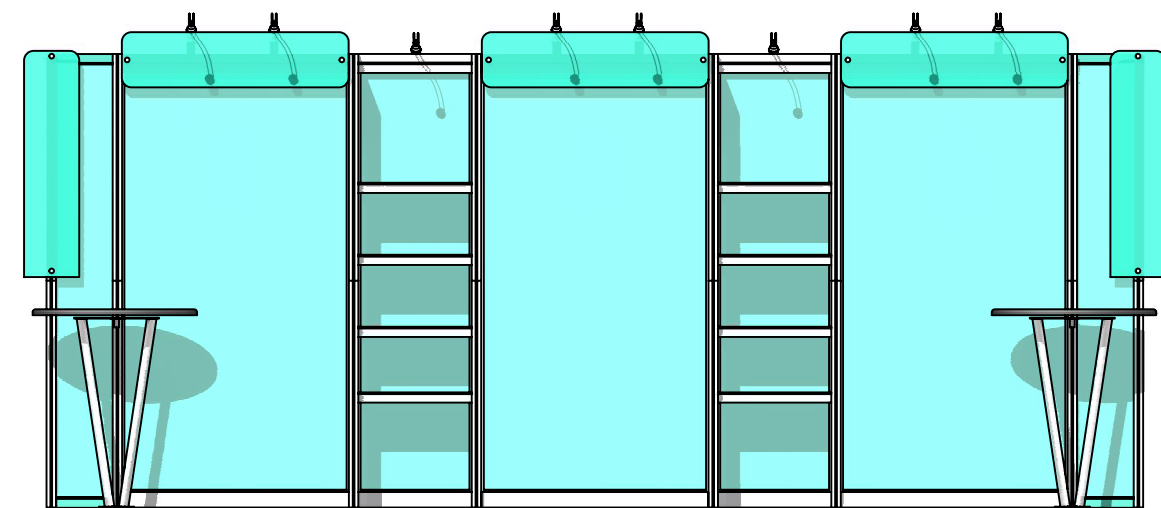
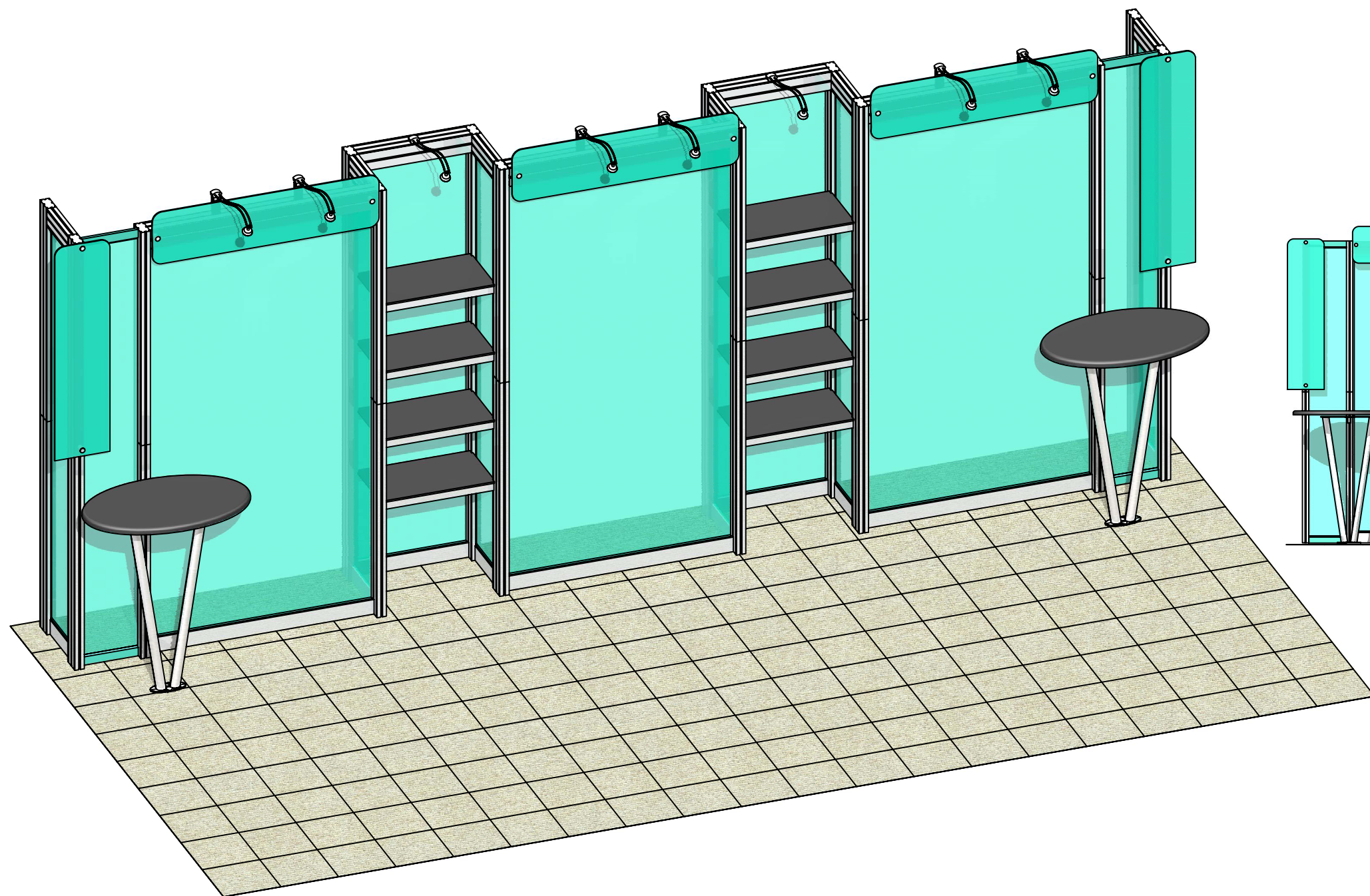


LINEAR 38



SET-UP NOTES

1. Redesign of this exhibit without approval by manufacture may result in dangerous and unsafe structures. the manufacture disclaims any responsibility for redesigned exhibits it does not approve in writing.
2. Parts and components such as panels and extrusions are manufactured to metric sizing. Where ever possible sizes have been noted in feet and inches as well as in metric. Below is the imperial to metric sizing table as reference. "Nominal" refers to approximate size.

IMPERIAL TO METRIC SIZES

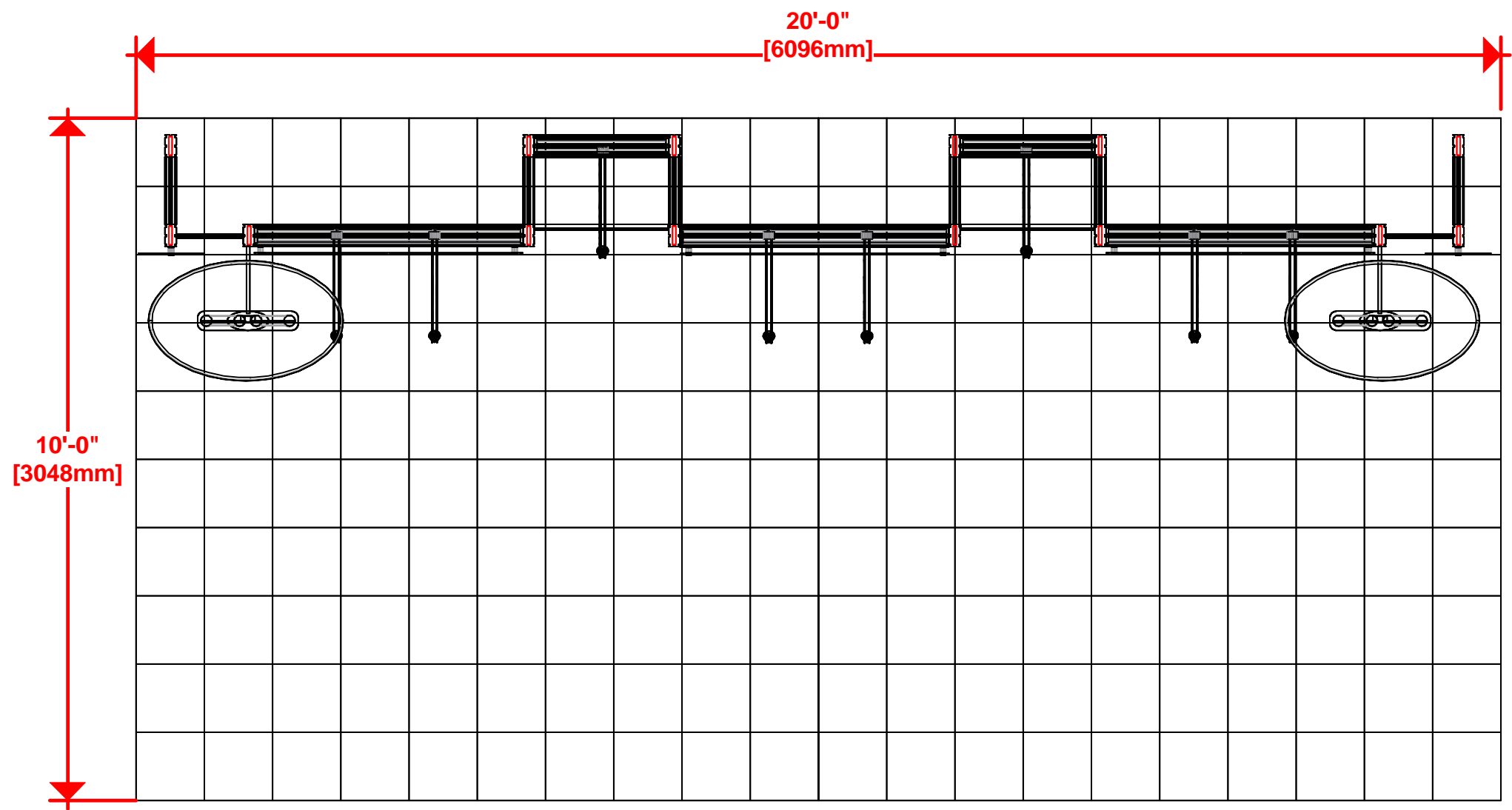
8' Nominal = 94 1/2" or 2400mm Actual
4' Nominal = 47 1/4" or 1200mm Actual
3' Nominal = 35 7/16" or 900mm Actual
2' Nominal = 23 5/8" or 600mm Actual
1' Nominal = 11 13/16" or 300mm Actual

1. Redesign of this exhibit without approval by manufacture may result in dangerous and unsafe structures. The manufacture disclaims any responsibility for redesigned exhibits it does not approve in writing.
 2. Parts and components such as panels and extrusions are manufactured to metric sizing. Where ever possible sizes have been noted in feet and inches as well as in metric. Below is the imperial to metric sizing table as reference. "Nominal" refers to approximate size.

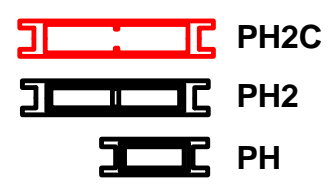
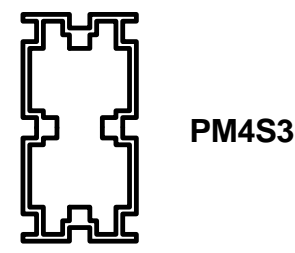
- 2400mm = (94 1/2")
- 2100mm = (82 5/8")
- 1800mm = (70 7/8")
- 1500mm = (59")
- 1200mm = (47 1/4")
- 900mm = (35 1/2")
- 600mm = (23 5/8")
- 300mm = (11 7/8")

- Phone Line / Fax
- Internet connection
- Outlet
- Main Drop (point of distrution)

--- Wire running under carpet



(8) LV1 LIGHTS = 50W PER STICK

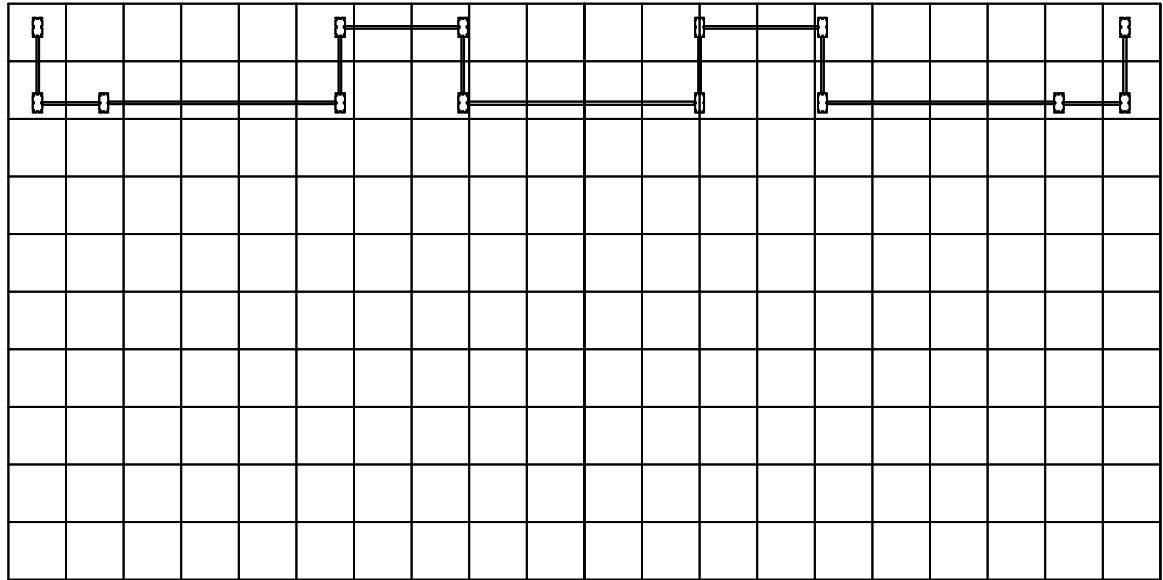


LINEAR 38

Title: SET-UP INSTRUCTIONS

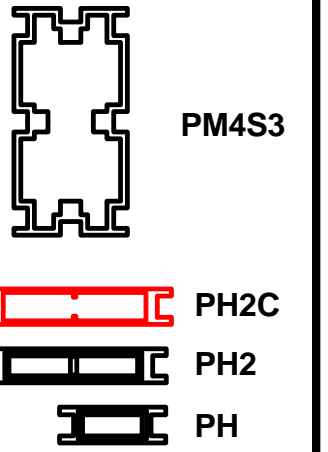
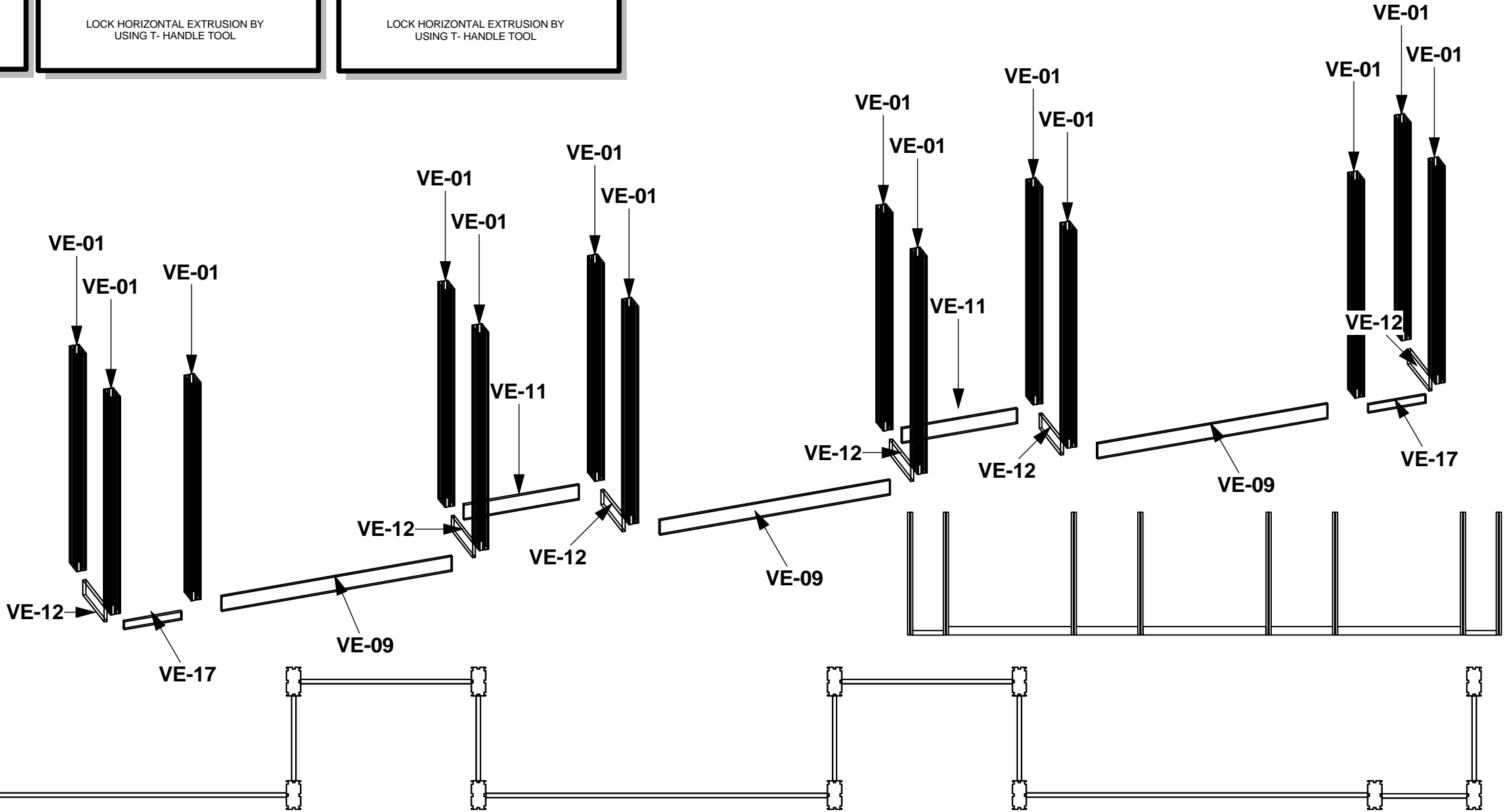
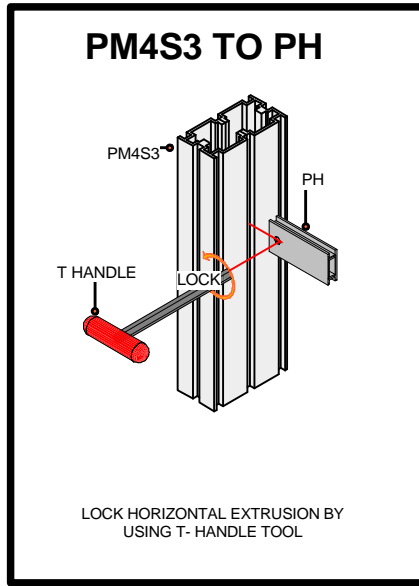
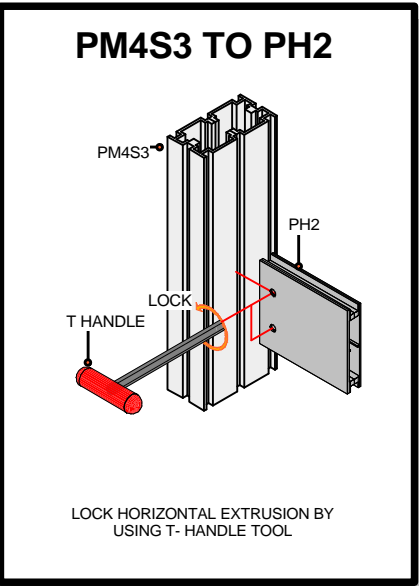
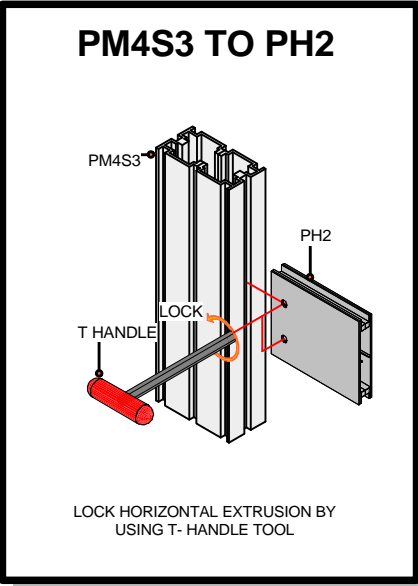
EP

Code	#	Description
VE-11	2	600MM (23 5/8") PH2 WITH SLIDE LOCKS AT BOTH ENDS
VE-01	14	PM4S3-1200 (47 1/4") WITH SET SCREW AT 152MM BOTH ENDS
VE-12	6	300MM (11 13/16") PH2 WITH SLIDE LOCKS AT BOTH ENDS
VE-09	3	1200MM (47 1/4") PH2 WITH SLIDE LOCKS AT BOTH ENDS
VE-17	2	300MM (11 13/16") PH WITH SLIDE LOCK AT BOTH ENDS



1. Redesign of this exhibit without approval by manufacture may result in dangerous and unsafe structures. The manufacture disclaims any responsibility for redesigned exhibits it does not approve in writing.
 2. Parts and components such as panels and extrusions are manufactured to metric sizing. Where ever possible sizes have been noted in feet and inches as well as in metric. Below is the imperial to metric sizing table as reference. "Nominal" refers to approximate size.

- 2400mm = (94 1/2")
 - 2100mm = (82 5/8")
 - 1800mm = (70 7/8")
 - 1500mm = (59")
 - 1200mm = (47 1/4")
 - 900mm = (35 1/2")
 - 600mm = (23 5/8")
 - 300mm = (11 7/8")
- Phone Line / Fax
 - Internet connection
 - Outlet
 - Main Drop (point of distrution)
- Wire running under carpet



LINEAR 38

Title: SET-UP INSTRUCTIONS

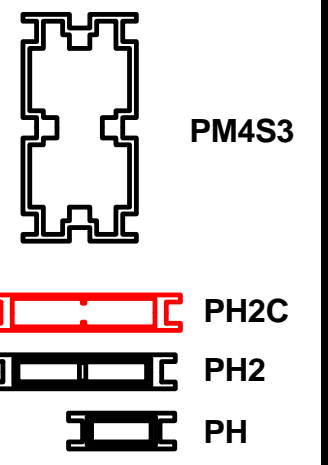
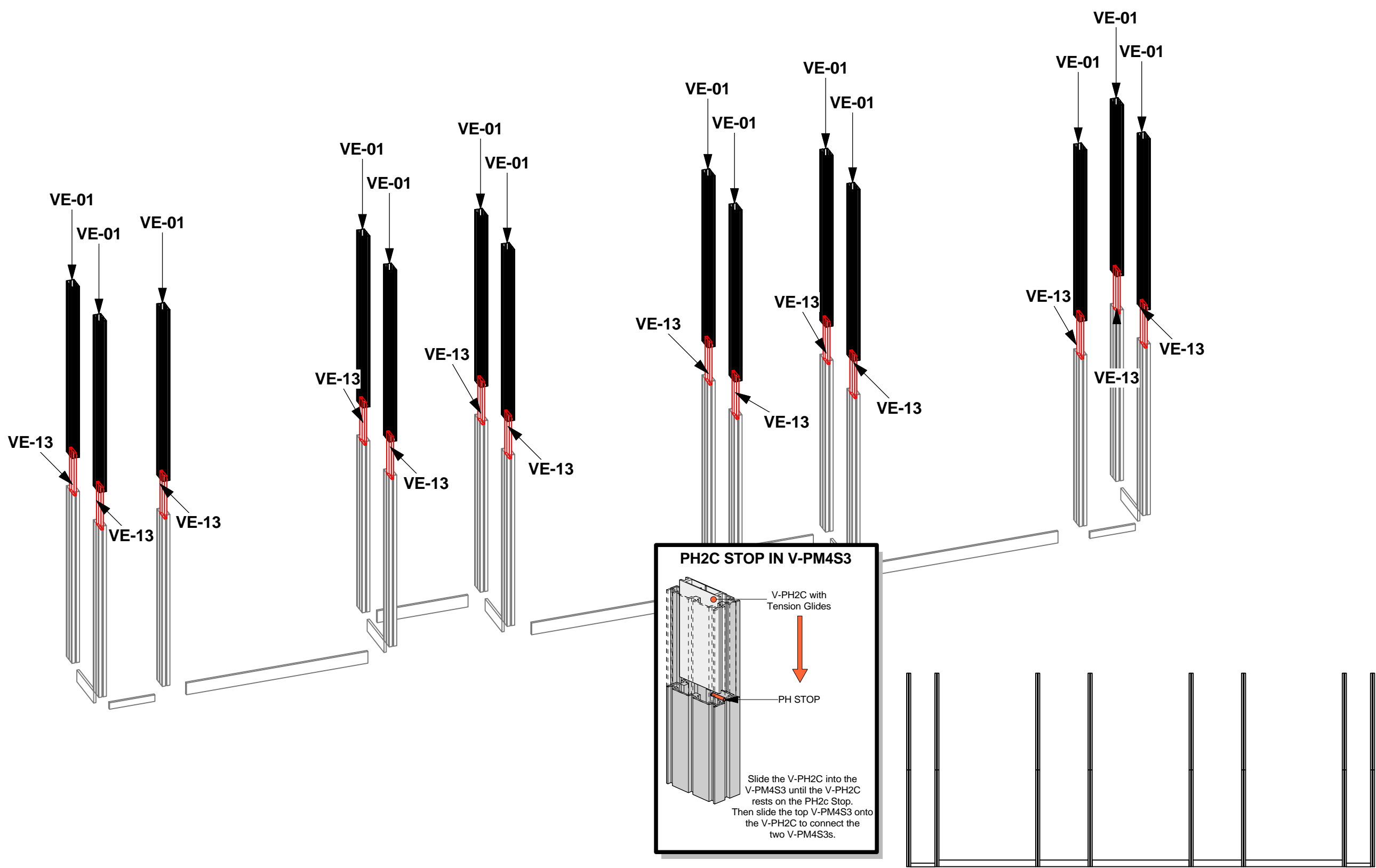
Code	#	Description
VE-01	14	PM4S3-1200 (47 1/4") WITH SET SCREW AT 152MM
VE-13	14	PH2C 300MM[11 3/4"] VERTICAL POST CONNECTOR



1. Redesign of this exhibit without approval by manufacture may result in dangerous and unsafe structures. The manufacture disclaims any responsibility for redesigned exhibits it does not approve in writing.
 2. Parts and components such as panels and extrusions are manufactured to metric sizing. Where ever possible sizes have been noted in feet and inches as well as in metric. Below is the imperial to metric sizing table as reference. "Nominal" refers to approximate size.

2400mm = (94 1/2")	Phone Line / Fax
2100mm = (82 5/8")	Internet connection
1800mm = (70 7/8")	Outlet
1500mm = (59")	Main Drop (point of distrution)
1200mm = (47 1/4")	
900mm = (35 1/2")	
600mm = (23 5/8")	
300mm = (11 7/8")	

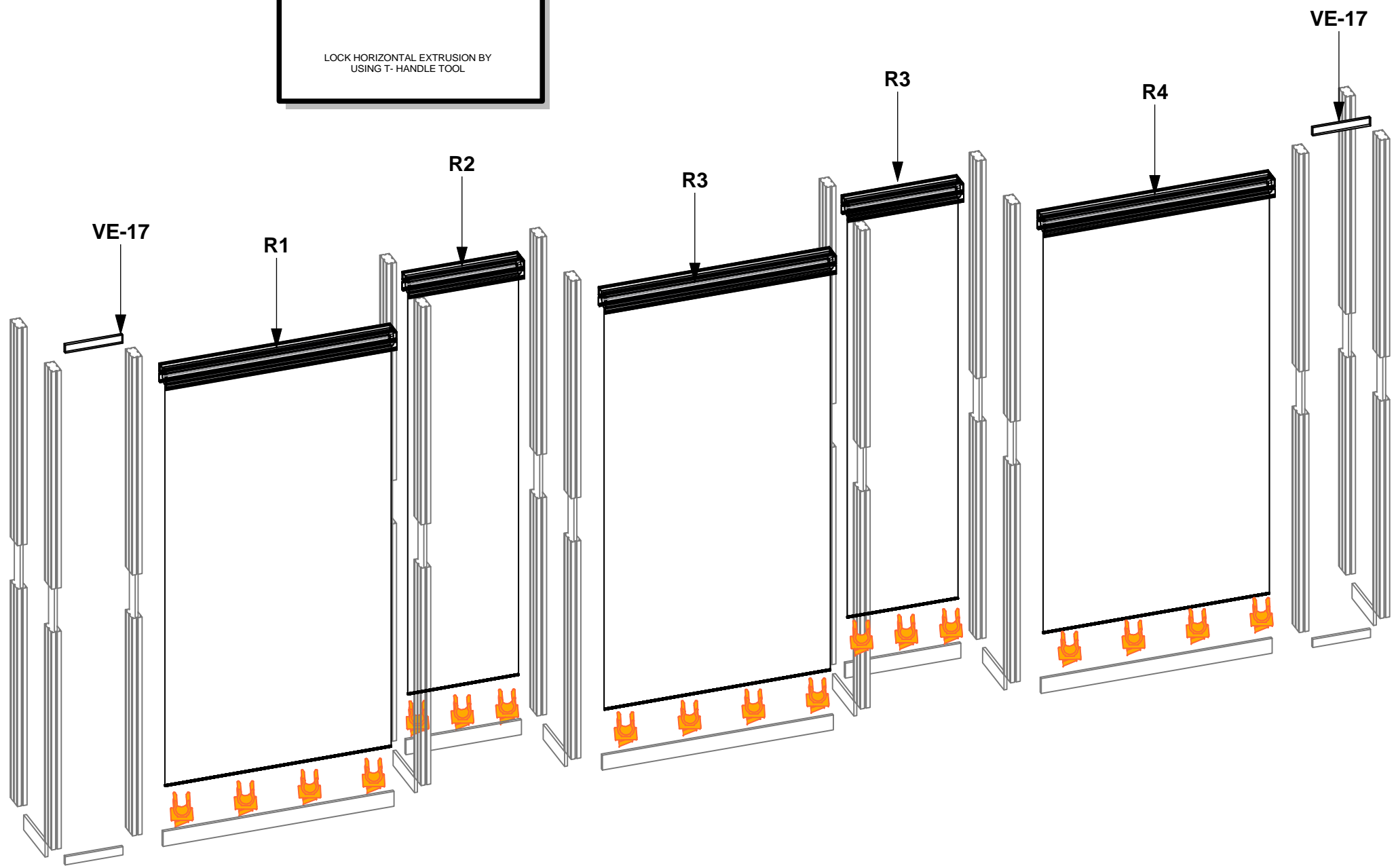
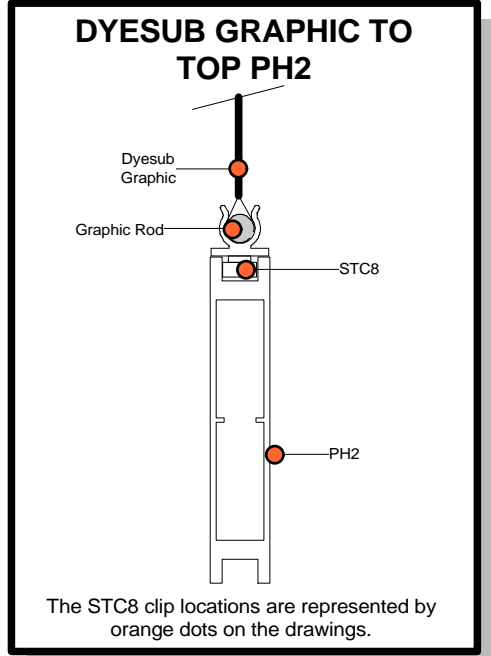
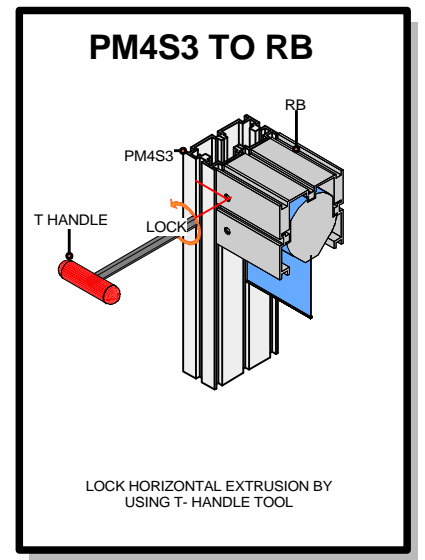
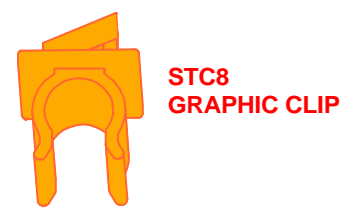
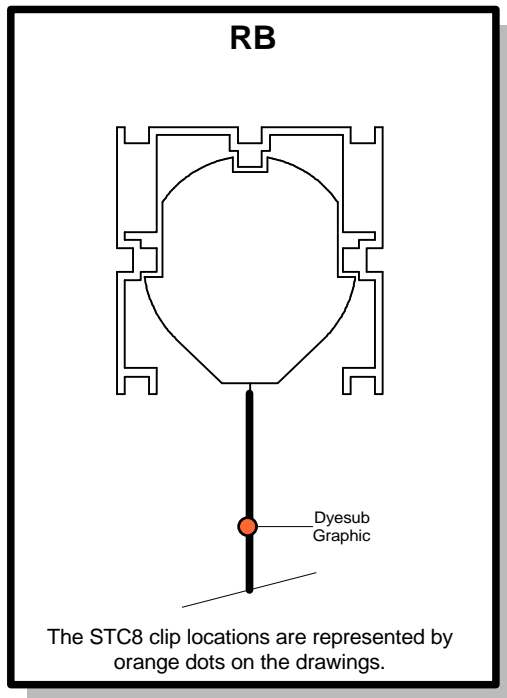
--- Wire running under carpet



LINEAR 38

Title: SET-UP INSTRUCTIONS

Code	#	Description
R3	1	600MM (23 5/8") PM4 ROLLER BANNER WITH LOCKS BOTH ENDS
R4	1	1200MM (47 1/4") PM4 ROLLER BANNER WITH LOCKS BOTH ENDS
VE-17	2	300MM (11 13/16") PH WITH SLIDE LOCK AT BOTH ENDS
R3	1	1200MM (47 1/4") PM4 ROLLER BANNER WITH LOCKS BOTH ENDS
R2	1	600MM (23 5/8") PM4 ROLLER BANNER WITH LOCKS BOTH ENDS
R1	1	1200MM (47 1/4") PM4 ROLLER BANNER WITH LOCKS BOTH ENDS

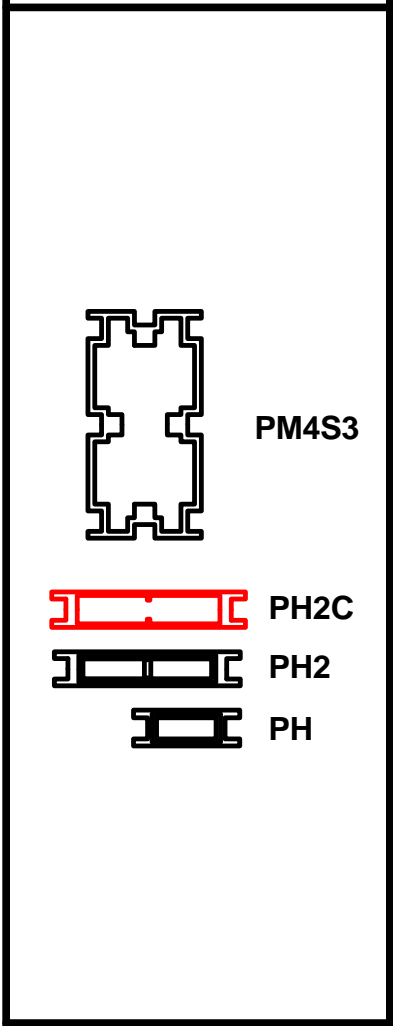


1. Redesign of this exhibit without approval by manufacture may result in dangerous and unsafe structures. The manufacture disclaims any responsibility for redesigned exhibits it does not approve in writing.

2. Parts and components such as panels and extrusions are manufactured to metric sizing. Where ever possible sizes have been noted in feet and inches as well as in metric. Below is the imperial to metric sizing table as reference. "Nominal" refers to approximate size.

2400mm = (94 1/2")	Phone Line / Fax
2100mm = (82 5/8")	Internet connection
1800mm = (70 7/8")	Outlet
1500mm = (59")	Main Drop (point of distrution)
1200mm = (47 1/4")	
900mm = (35 1/2")	
600mm = (23 5/8")	
300mm = (11 7/8")	

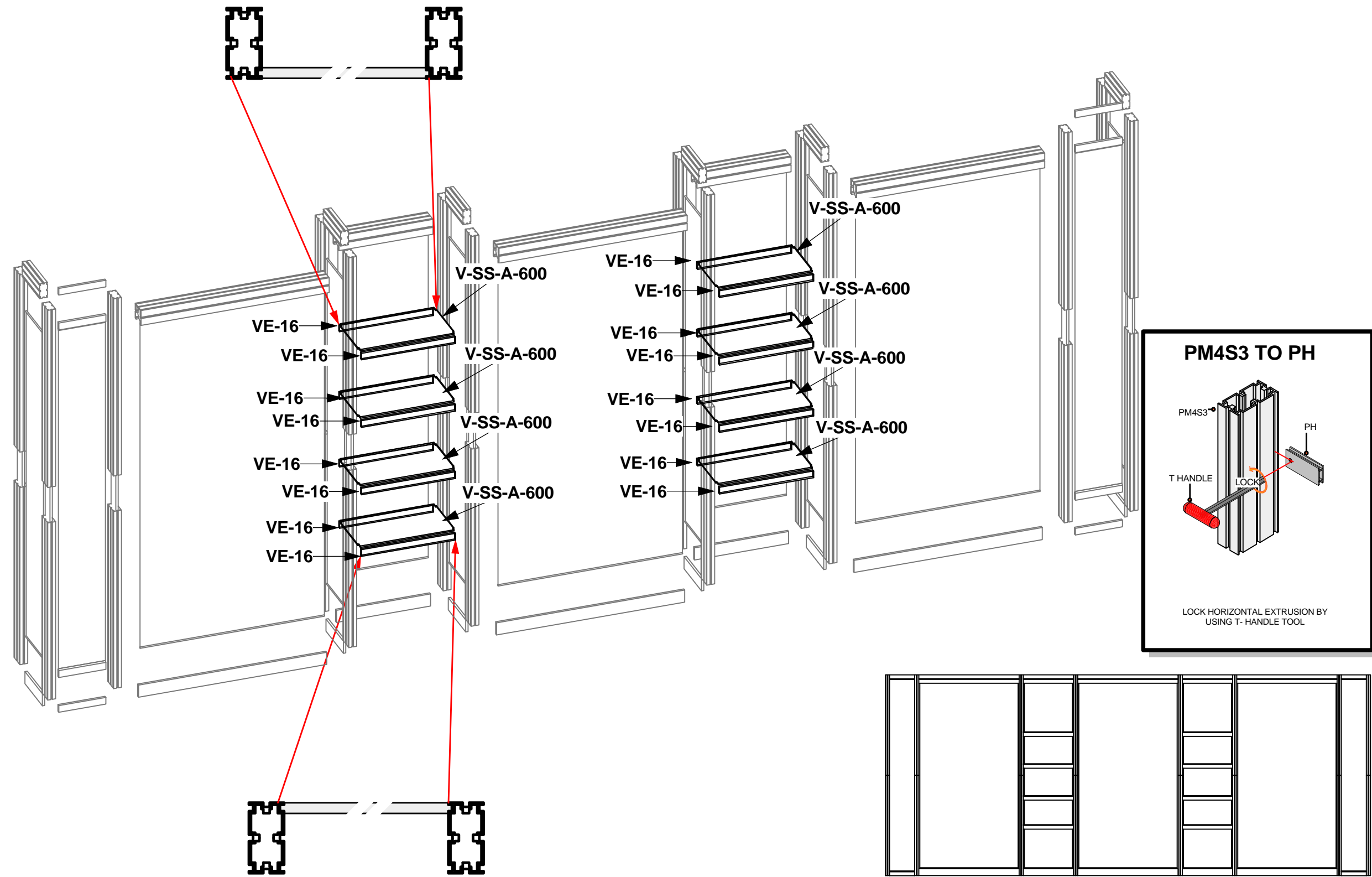
--- Wire running under carpet



LINEAR 38

Title: SET-UP INSTRUCTIONS

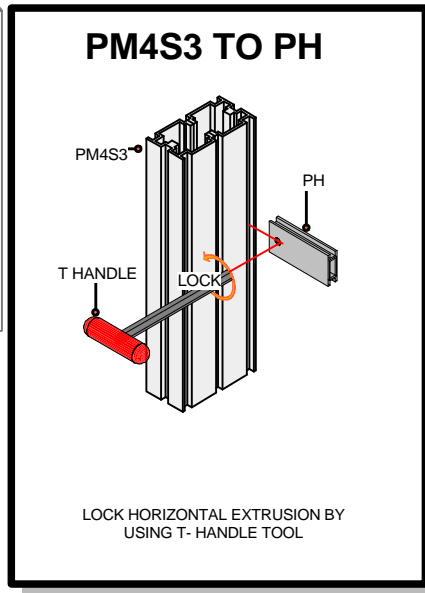
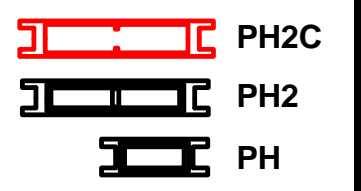
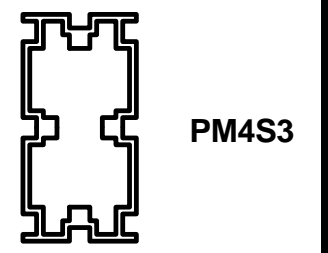
Code	#	Description
VE-16	16	600MM (23 5/8") PH WITH SLIDE LOCK AT BOTH ENDS
V-SS-A-600	8	612MM X 350MM (24 1/8" X 13 3/4") ACRYLIC SHELVING



1. Redesign of this exhibit without approval by manufacture may result in dangerous and unsafe structures. The manufacture disclaims any responsibility for redesigned exhibits it does not approve in writing.
 2. Parts and components such as panels and extrusions are manufactured to metric sizing. Where ever possible sizes have been noted in feet and inches as well as in metric. Below is the imperial to metric sizing table as reference. "Nominal" refers to approximate size.

2400mm = (94 1/2")	Phone Line / Fax
2100mm = (82 5/8")	Internet connection
1800mm = (70 7/8")	Outlet
1500mm = (59")	Main Drop (point of distrution)
1200mm = (47 1/4")	
900mm = (35 1/2")	
600mm = (23 5/8")	
300mm = (11 7/8")	

--- Wire running under carpet



LINEAR 38

Title: SET-UP INSTRUCTIONS

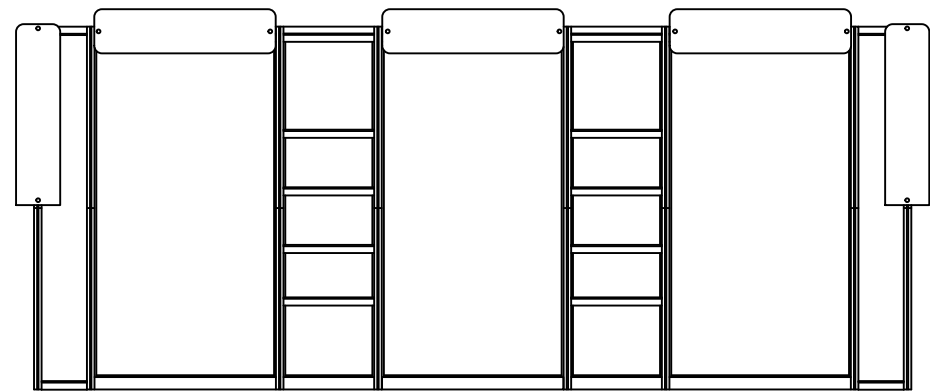
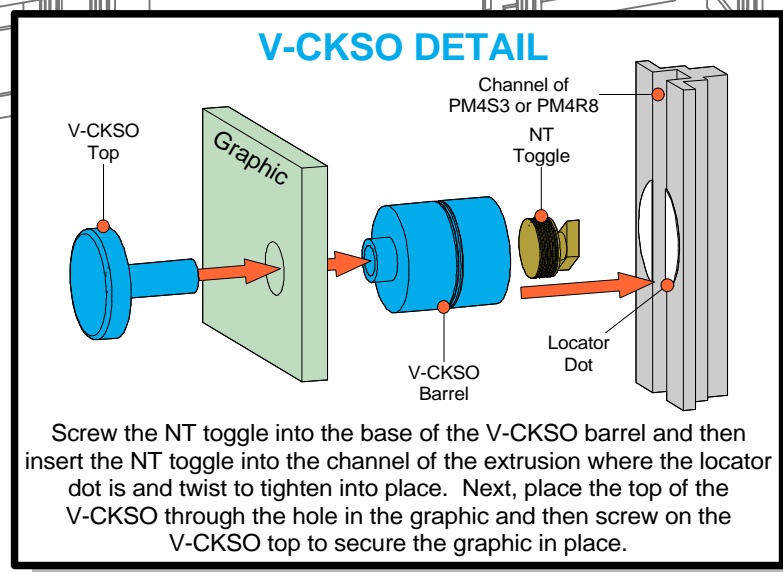
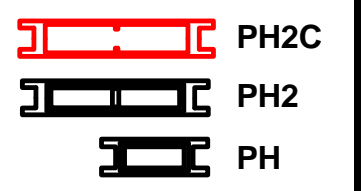
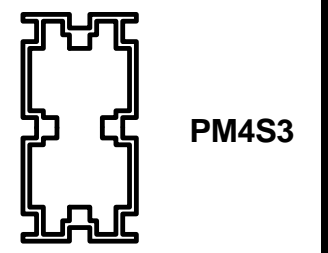
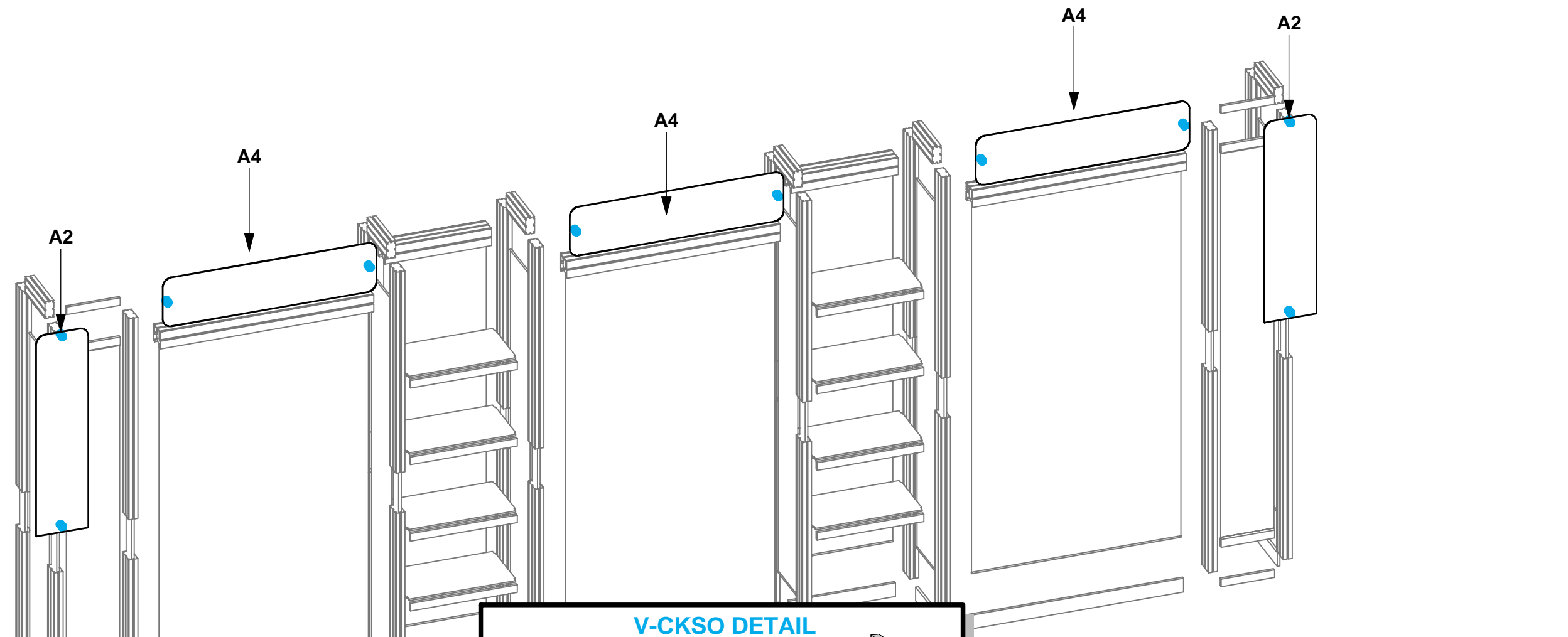
Code	#	Description
V-CKSO	10	25.4MM (1") DIAMETER X 25.4MM (1") STAND OFF
A4	3	292MM X 1200MM (11 1/2" X 47 1/4") RECTANGLE DSG GRAPHIC &V-
A2	2	292MM X 1200MM (11 1/2" X 47 1/4") 1/2 RECTANGLE DSG GRAPHIC



1. Redesign of this exhibit without approval by manufacture may result in dangerous and unsafe structures. The manufacture disclaims any responsibility for redesigned exhibits it does not approve in writing.
 2. Parts and components such as panels and extrusions are manufactured to metric sizing. Where ever possible sizes have been noted in feet and inches as well as in metric. Below is the imperial to metric sizing table as reference. "Nominal" refers to approximate size.

2400mm = (94 1/2")	Phone Line / Fax
2100mm = (82 5/8")	Internet connection
1800mm = (70 7/8")	Outlet
1500mm = (59")	Main Drop (point of distrution)
1200mm = (47 1/4")	
900mm = (35 1/2")	
600mm = (23 5/8")	
300mm = (11 7/8")	

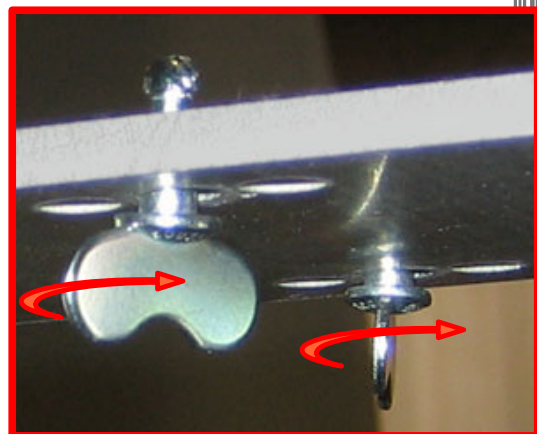
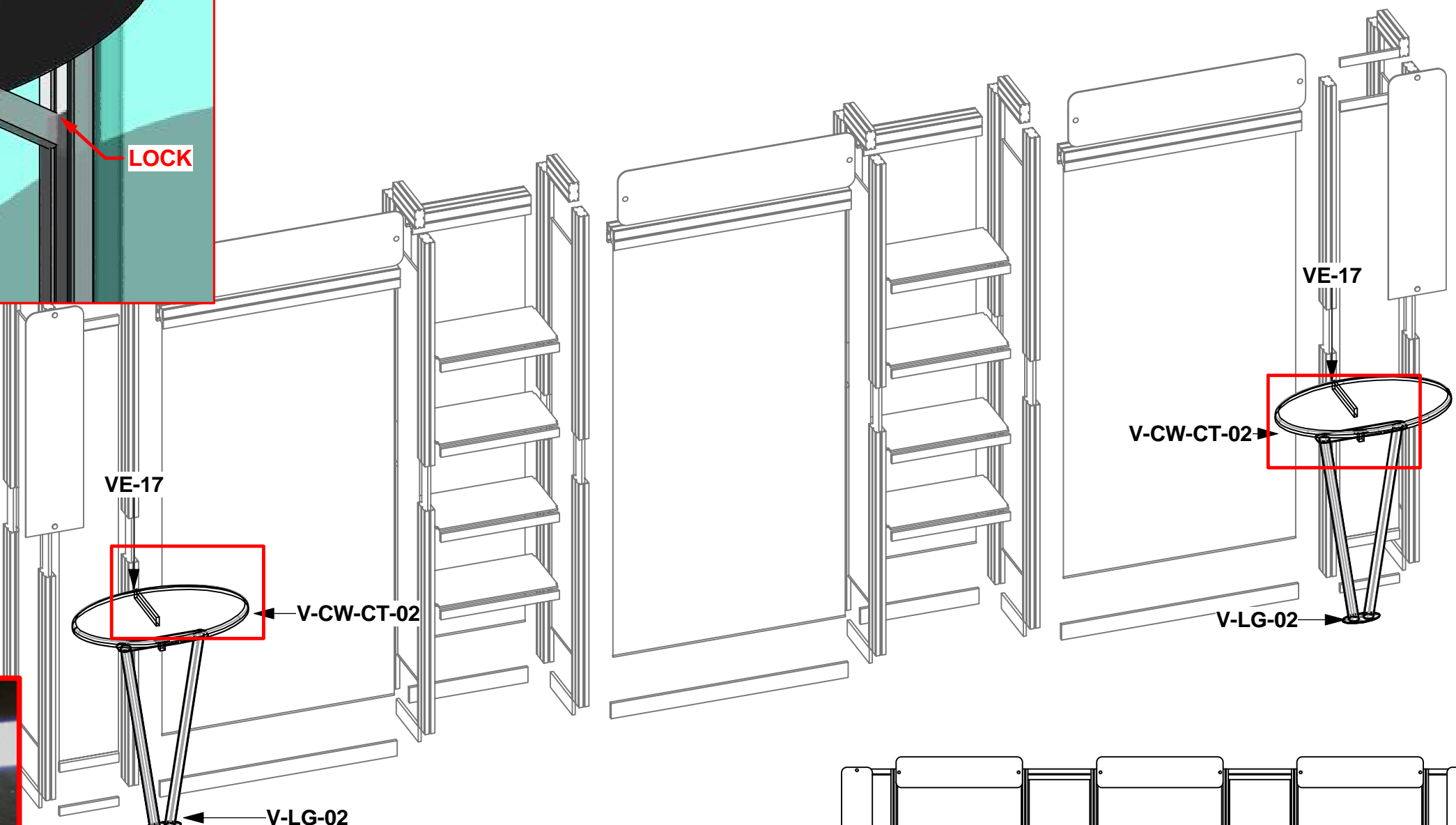
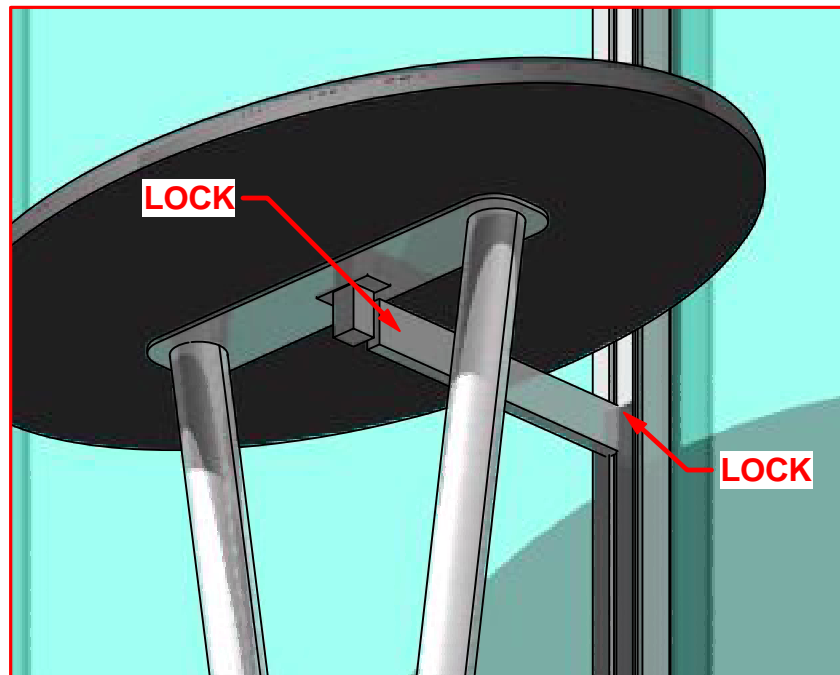
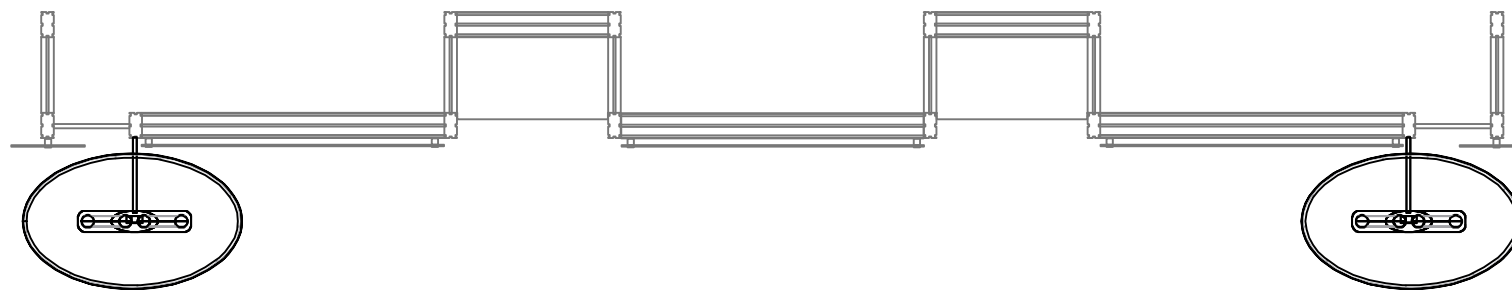
--- Wire running under carpet



LINEAR 38

Title: SET-UP INSTRUCTIONS

Code	#	Description
VE-17	2	300MM (11 13/16") PH WITH SLIDE LOCK AT BOTH ENDS
V-LG-02	2	1005MM X 450MM (39 9/16" X 17 23/32") V LEG 50MM CHA
V-CW-CT-02	2	870MM X 538MM (34 1/4" X 21 3/16") HYBRID OVAL TOP

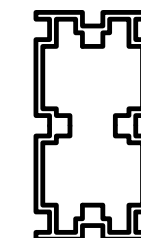


Insert the thumb connector into the bottom of the counter top and make a 1/4 turn clockwise to tighten in place.

1. Redesign of this exhibit without approval by manufacture may result in dangerous and unsafe structures. The manufacture disclaims any responsibility for redesigned exhibits it does not approve in writing.
 2. Parts and components such as panels and extrusions are manufactured to metric sizing. Where ever possible sizes have been noted in feet and inches as well as in metric. Below is the imperial to metric sizing table as reference. "Nominal" refers to approximate size.

2400mm = (94 1/2")	Phone Line / Fax
2100mm = (82 5/8")	Internet connection
1800mm = (70 7/8")	Outlet
1500mm = (59")	Main Drop (point of distrution)
1200mm = (47 1/4")	
900mm = (35 1/2")	
600mm = (23 5/8")	
300mm = (11 7/8")	

--- Wire running under carpet



PM4S3



PH2C



PH2

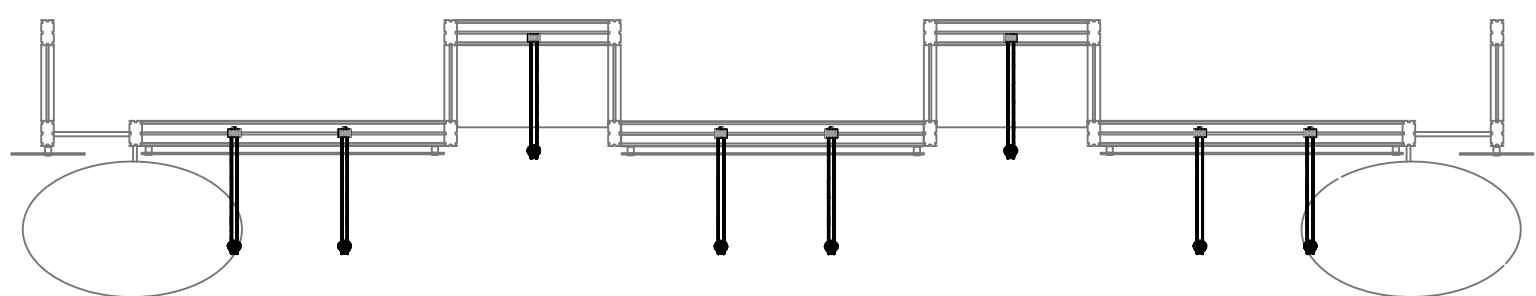
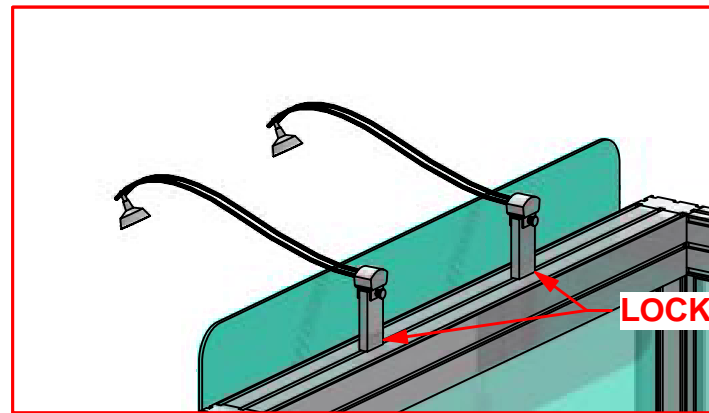


PH

LINEAR 38

Title: SET-UP INSTRUCTIONS

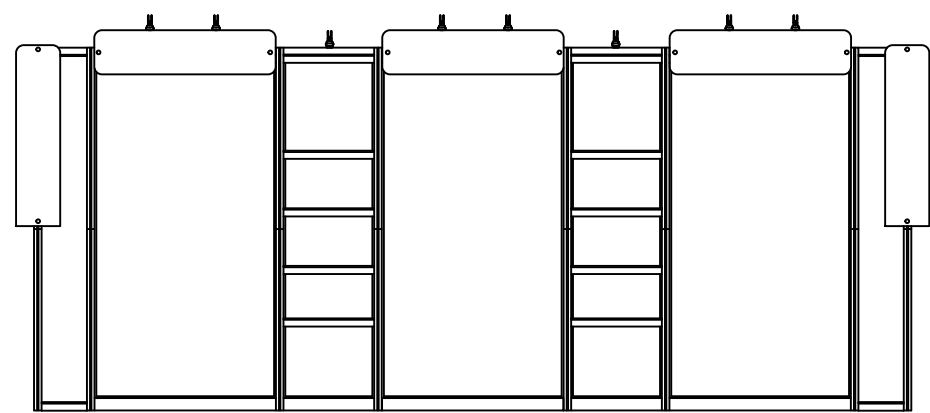
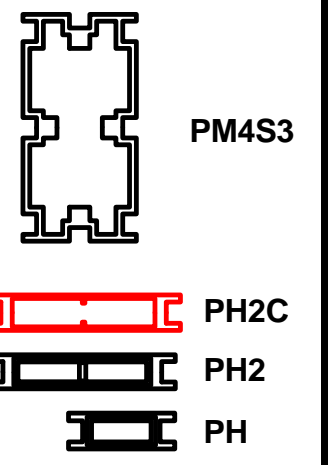
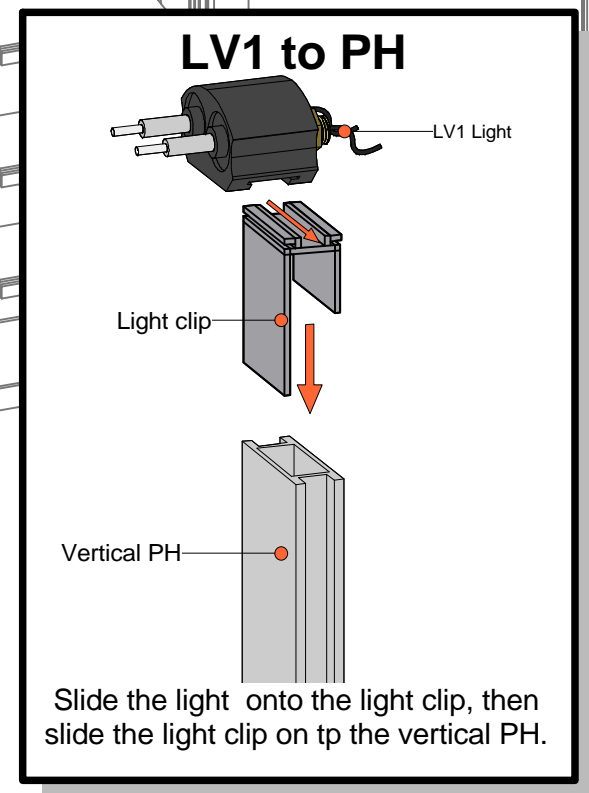
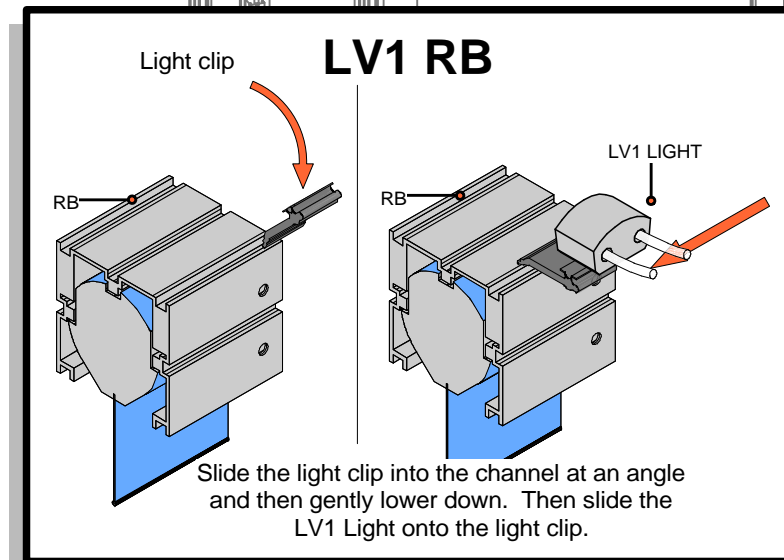
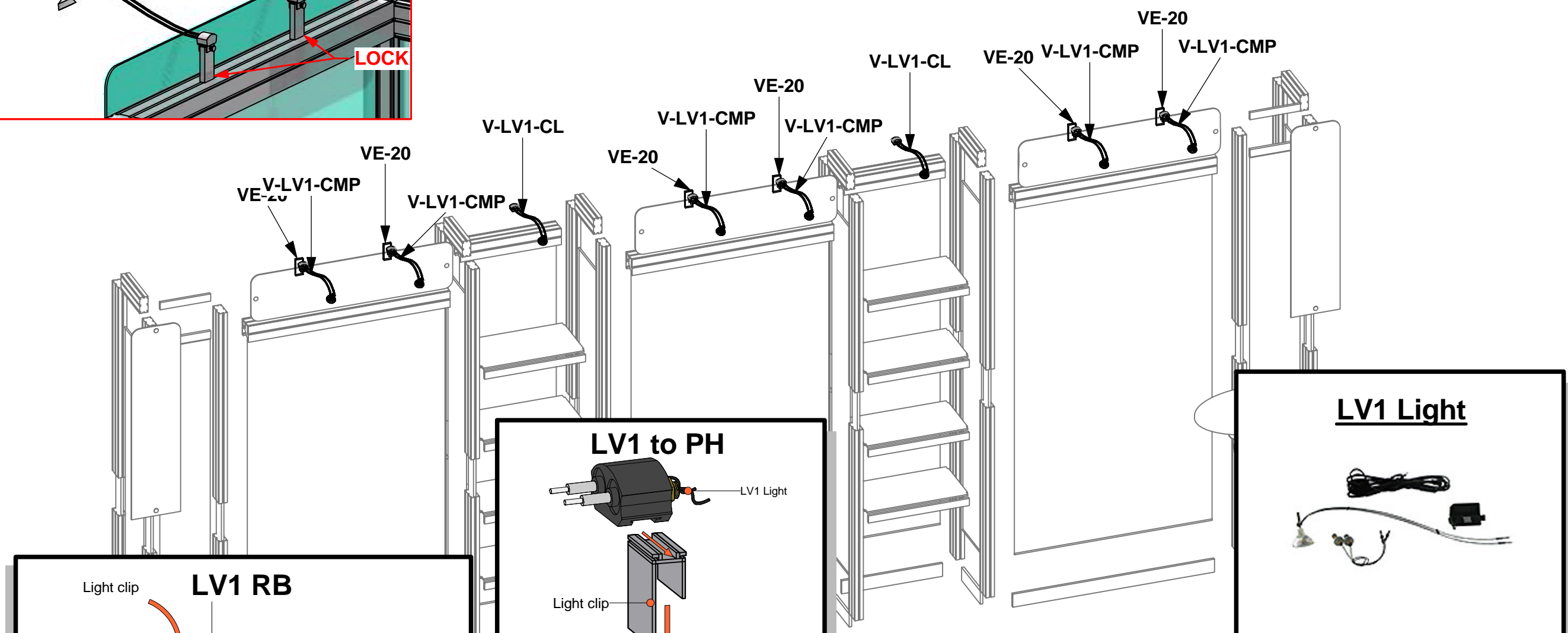
Code	#	Description
V-LV1-CL	2	LV1 WITH UNIVERSAL CLIP
VE-20	6	90 MM LIGHT LIFT FOR HEADER
V-LV1-CMP	6	LV1 WITH UNIVERSAL CLAMP



1. Redesign of this exhibit without approval by manufacture may result in dangerous and unsafe structures. The manufacture disclaims any responsibility for redesigned exhibits it does not approve in writing.
 2. Parts and components such as panels and extrusions are manufactured to metric sizing. Where ever possible sizes have been noted in feet and inches as well as in metric. Below is the imperial to metric sizing table as reference. "Nominal" refers to approximate size.

2400mm = (94 1/2")	Phone Line / Fax
2100mm = (82 5/8")	Internet connection
1800mm = (70 7/8")	Outlet
1500mm = (59")	Main Drop (point of distrution)
1200mm = (47 1/4")	
900mm = (35 1/2")	
600mm = (23 5/8")	
300mm = (11 7/8")	

--- Wire running under carpet



LINEAR 38
 Title: SET-UP INSTRUCTIONS