

# Formulate Designer Series 10' Backwall - Kit 11

## FMLT-DS-10-11

Formulate™ Designer Series 10ft displays have unique stylistic features and shapes, are portable and easy to assemble. The aluminum tube frame features snap-buttons and/ or spigot connections and zipper pillowcase fabric graphics. All displays come in portable, wheeled transit cases. Simply pull the pillowcase fabric graphic(s) over the frame and zip.



## features and benefits:

- Premium aluminum tube frames with snap button / spigot assembly
- Easy to store and ship
- Quick to set up
- Weighted feet for added stability
- Two zipper pillowcase fabric graphics
- Kit includes: monitor kiosk featuring a medium monitor mount, can hold 32-55" monitor / max weight 40lbs
- Lifetime limited hardware warranty against manufacturer defects

## dimensions:

Hardware	Graphic
<p>Assembled unit: 115.09" w x 98.1" h x 31.61" d 2923mm(w) x 2492mm(h) x 803mm(d)</p> <p>Approximate weight with cases: 150 lbs / 68 kgs</p>	<p>Refer to related graphic template for more information.</p> <p>Visit: <a href="http://www.exhibitors-handbook.com/graphic-templates">www.exhibitors-handbook.com/graphic-templates</a></p>
<p>Shipping</p> <p>Packing case(s): 2 OCE Cases</p> <p>Shipping dimensions: OCE: Expandable case length (l) may vary 40" - 66" l x 18" w x 18" h 1016mm-1677mm(l) x 458mm(w) x 458mm(h)</p> <p>Approximate total shipping weight (includes cases &amp; graphics): 162 lbs / 73.5 kgs</p>	
	<p><b>additional information:</b></p> <p>Graphic material: dye-sublimation zipper pillowcase fabric</p>

We are continually improving and modifying our product range and reserve the right to vary the specifications without prior notice. All dimensions and weights quoted are approximate and we accept no responsibility for variance. E&OE. See Graphic Templates for graphic bleed specifications.

# Included In Your Kit

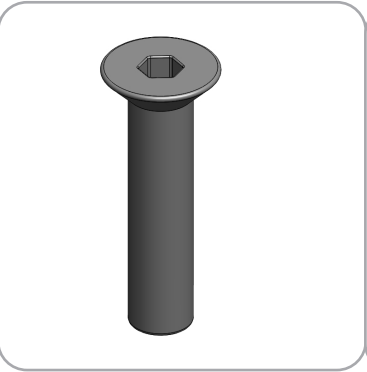
Tools, Components, & Connectors



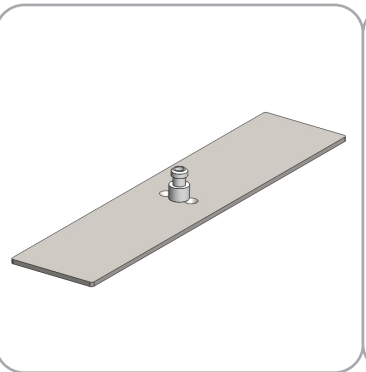
ALLEN KEY SET x1



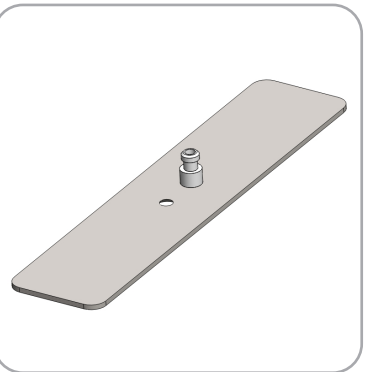
ES30 x12



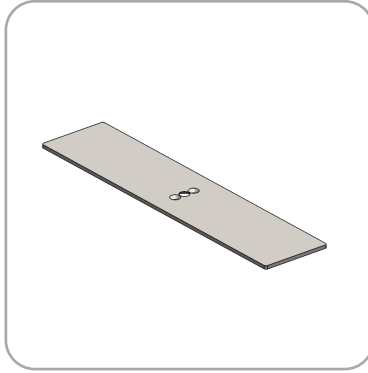
LN114-SCRW x2



LN114-S2-450 x1



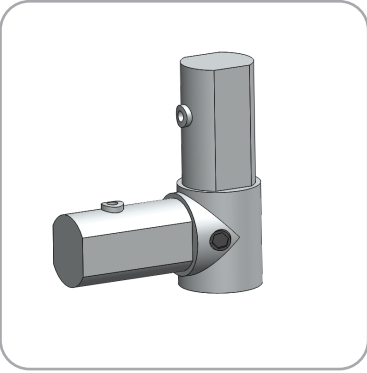
LN114-S3 x1



LN114-S2-450 x2



TC-30-90B x2

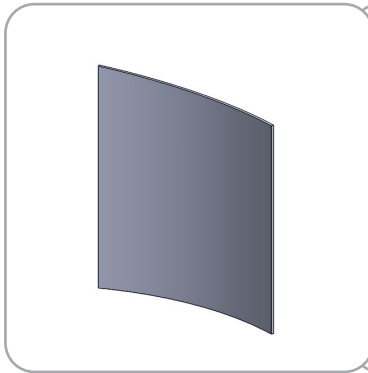


ES30-90B x2

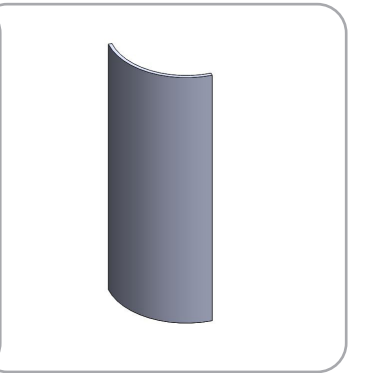


TCH-30-B2B x1

Graphics

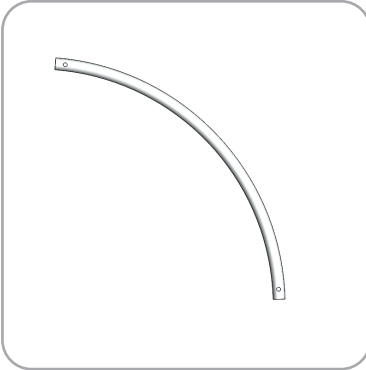


FMLT-DS-10-10-A-G x1

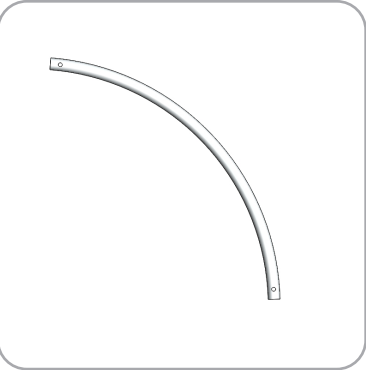


FMLT-DS-10-10-B-G x1

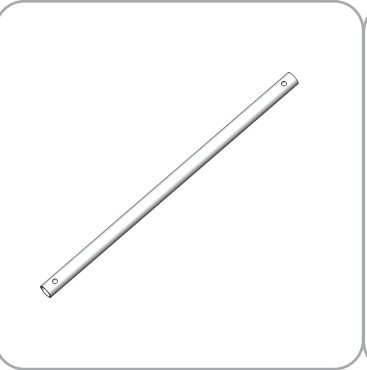
# Included In Your Kit



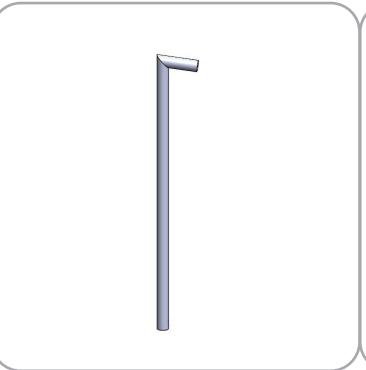
DS-10-11-A-T1 x2



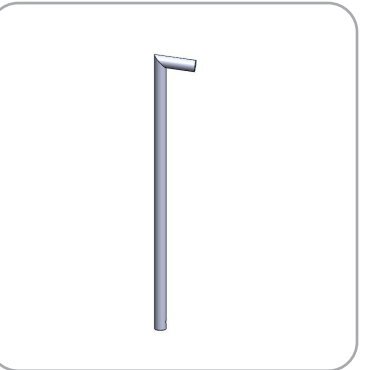
DS-10-11-A-T2 x2



DS-10-11-A-T3 x2

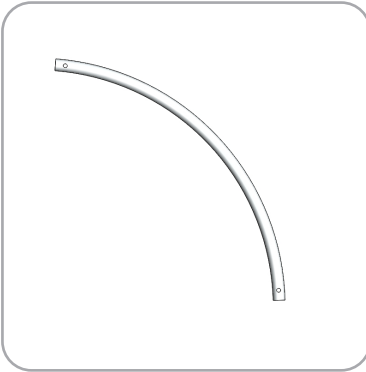


DS-10-11-A-T4 x1

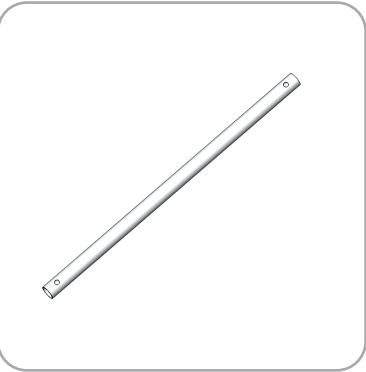


DS-10-11-A-T5 x1

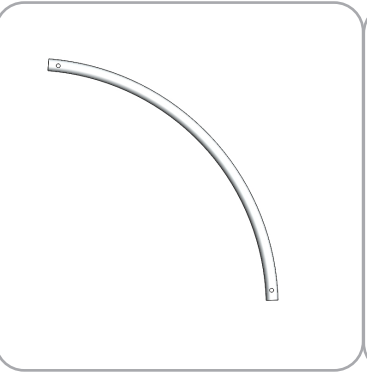
Tubes



DS-10-11-B-T1 x1



DS-10-11-B-T2 x4

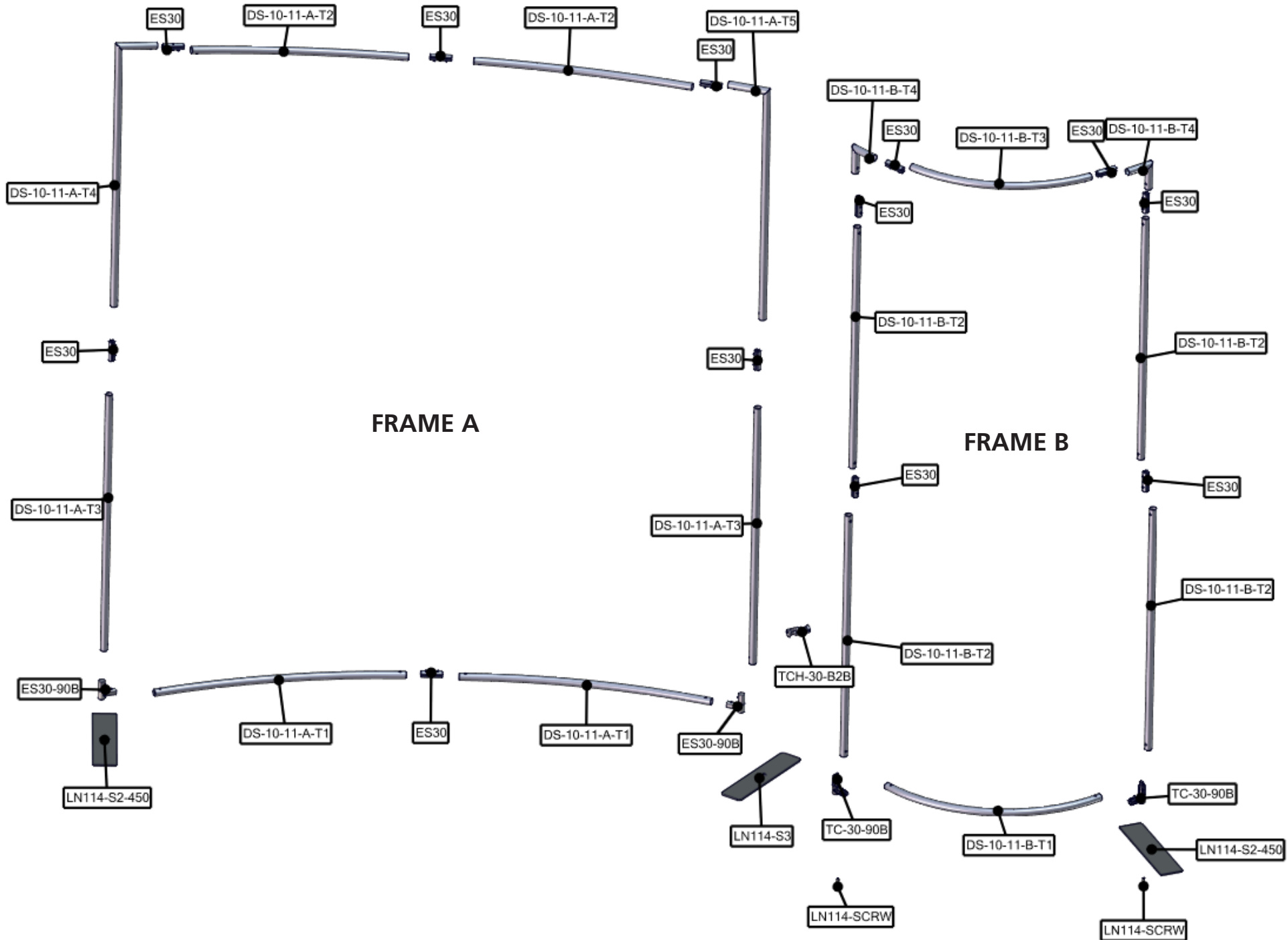


DS-10-11-B-T3 x1



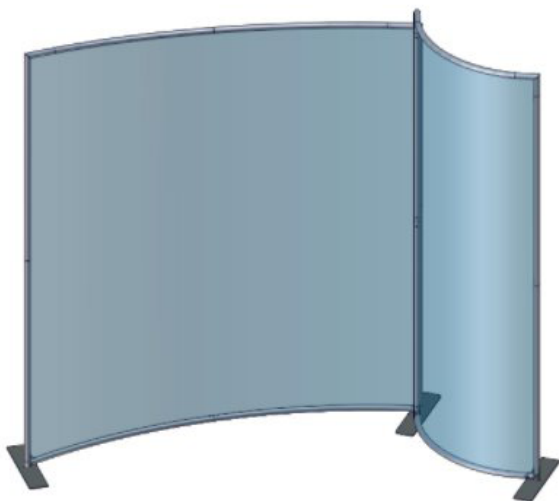
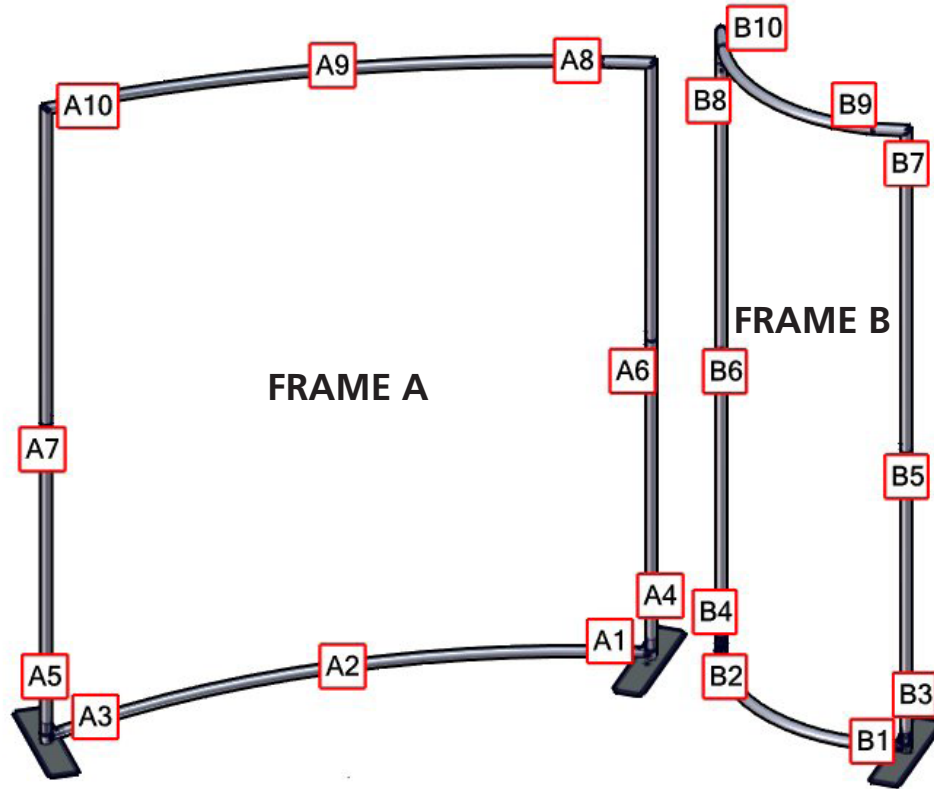
DS-10-11-B-T4 x2

# Exploded View



# Labeling Diagram

FMLT-DS-10-11

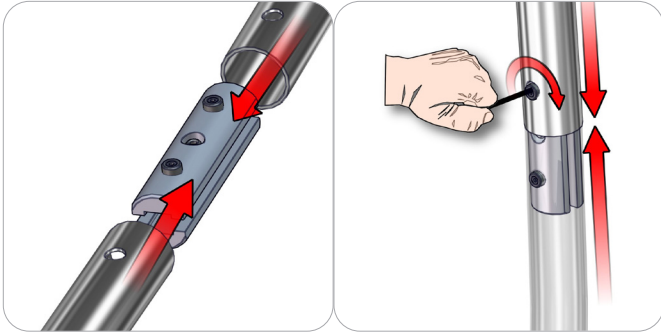


OVERHEAD VIEW

# Connection Methods

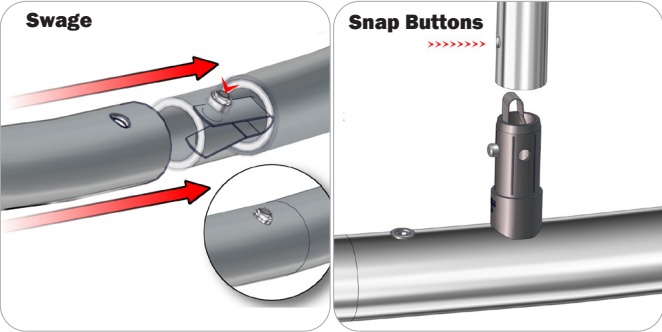
Formulate™ structures use a number of different yet simple connection methods. Your kit will include one or more of the connection methods shown below. Steps within the Kit Assembly will reference a specific method for each connection point.

## Connection Method 1: ES30 / ES50 / ES75



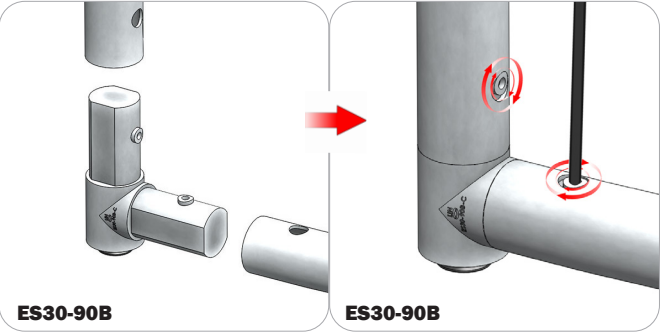
Compress the unlocked connector and slide one tube onto each end. Lock both screws carefully using your allen key tool. Be sure to lock securely, but do not overtighten.

## Connection Method 2: Snap Buttons & Swage



Locate the snap button on the connector or swage tube. Locate the hole on the corresponding tube. Press the snap button with your thumb and slide the tube and connector together so that the snap button snaps fully into the lock hole. To disassemble, press the snap button and pull apart.

## Connection Method 3: ES30-90B / ES30-I / ES30-C



Compress one unlocked end of the connector and slide it through one tube end. Compress the other end of the connector and slide the second tube on. Lock both screws carefully using your allen key tool. Be sure to lock securely, but do not overtighten.

## Connection Method 4: Tube Clamps



Be sure to fully assemble all frames before using clamps. With the clamp unlocked, place one tube of the first frame into the mouth of the clamp. Place the second tube (if applicable) into the second mouth of the clamp. With both frame's tubes in the clamp, be sure to lock securely, but do not overtighten.

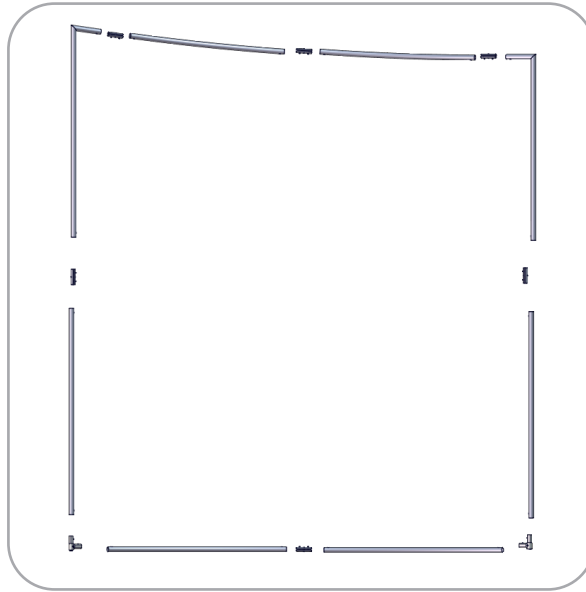
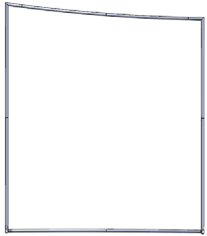
# Kit Assembly

## Step by Step

### Step 1.

Gather the components necessary to assemble Frame A. Assemble your frame following the order specified in the Labeling Diagram.

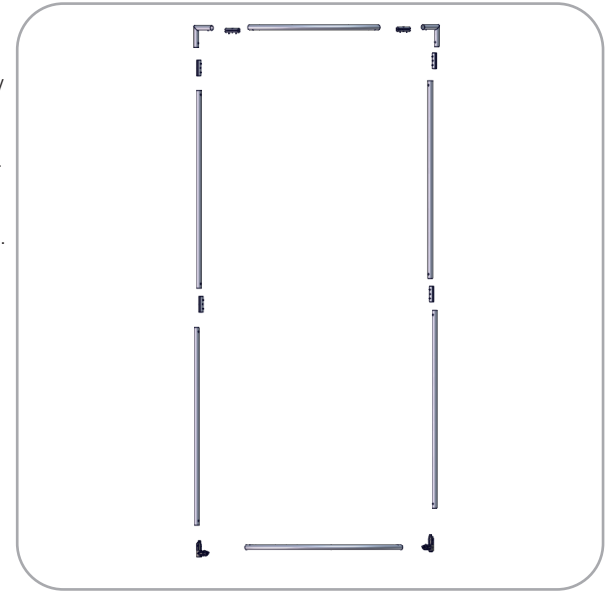
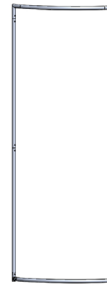
Please reference Connection Methods 1 and 3 for more details.



### Step 2.

Gather the components necessary to build Frame B. Assemble your frame following the order specified in the Labeling Diagram.

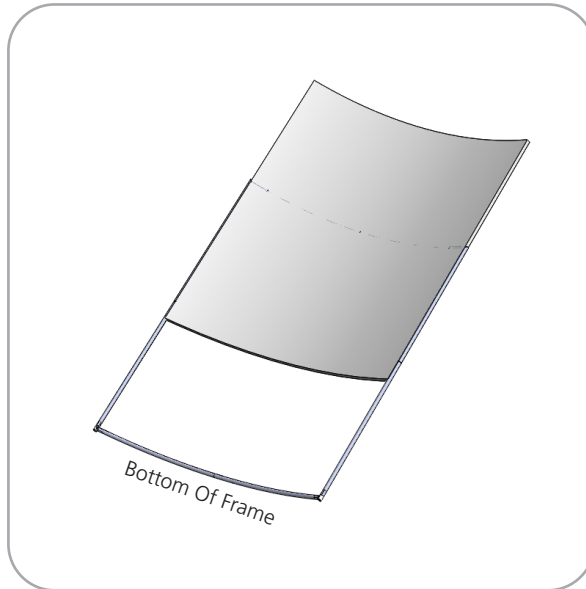
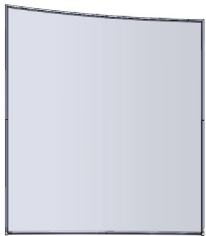
Please reference Connection Methods 1 and 2 for more details.



### Step 3.

Locate the fabric cover for Frame A. With the frame flat on the floor, pull the cover over the top of the frame. Zip the fabric cover to enclose the frame.

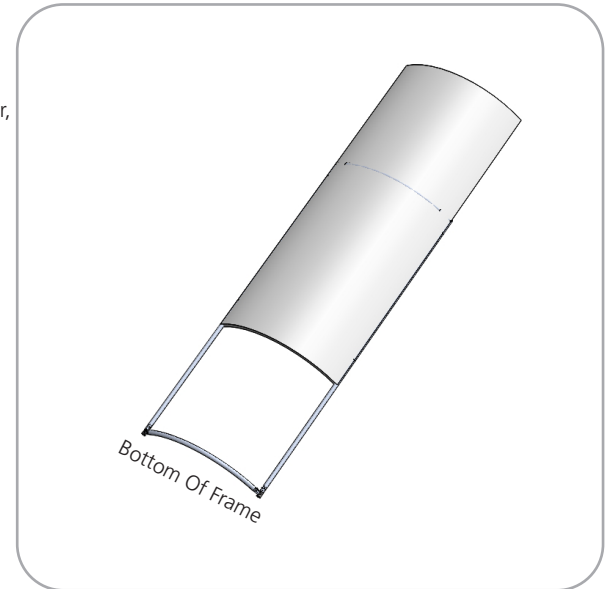
Zipper located on the bottom of Graphic A



### Step 4.

Locate the fabric cover for Frame B. With the frame flat on the floor, pull the cover over the top of the frame. Zip the fabric cover to enclose the frame.

Zipper located on the bottom of Graphic B

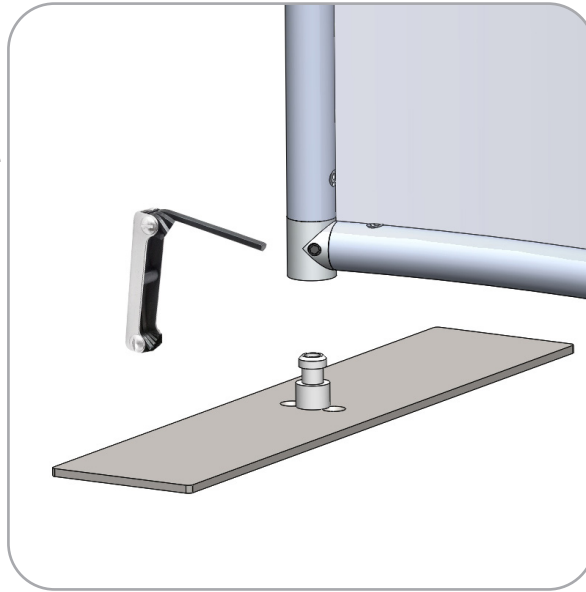
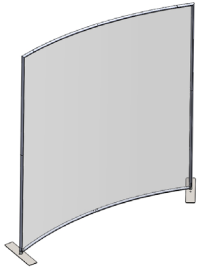


# Kit Assembly

## Step by Step

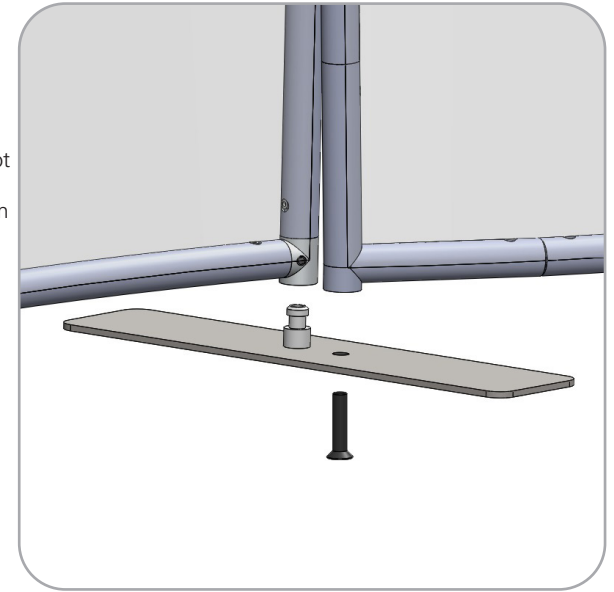
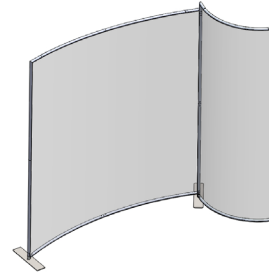
### Step 5.

Locate both LN114-S2-450 .  
Attach the foot to the bottom of the ES30-90B on the left side of Frame A. Tighten the screw on the side of the ES30-90B to lock it in place.



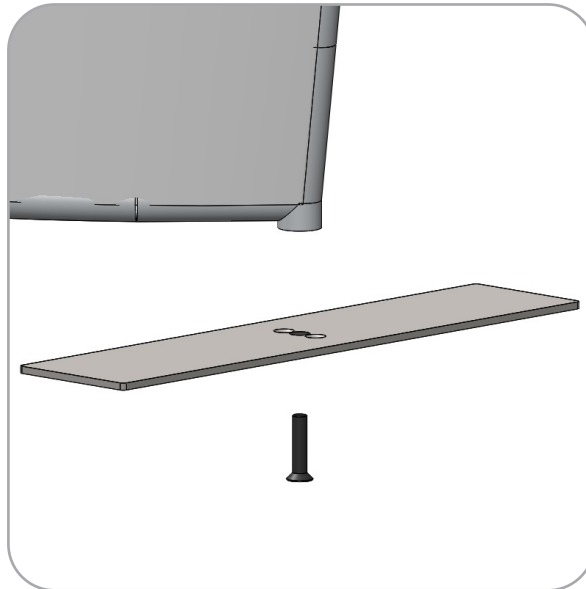
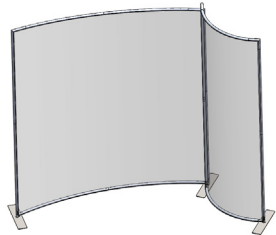
### Step 6.

Gather the LN114-S3 assembly, and 1 LN114 screw. Start by setting the hub on the foot into the ES30-90B. Next screw the foot into Frame B in the order shown on the right. Tighten the screw on the ES30-90B to lock in place.



### Step 7.

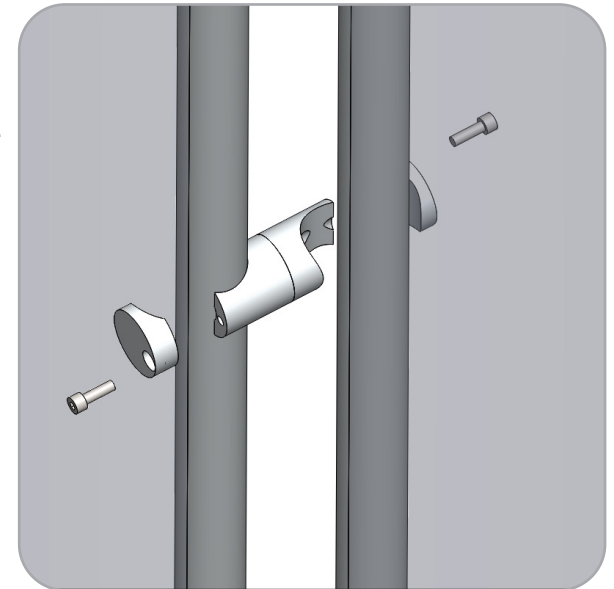
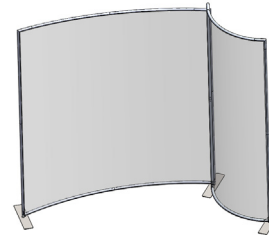
Gather the LN114-S2-450 assembly, and 1 LN114 screws. Attach the foot to the right side of Frame B, in order shown in the image to the right.



### Step 8.

Use the TCH-30-B2B to combine both frames. Tighten on each side of the frame as shown in the image to the right.

Please reference Connection Method 4 for more details.





# PM4S3 Monitor Kiosk

PM4S3-MK-M  
PM4S3-MK-L

Kiosk displays are portable and easy to assemble. The aluminum extrusion frame features cam locks, tension glide connections and medium or large monitor mounts. This kiosk comes in an expandable shipping case.



## features and benefits:

- Premium aluminum extrusion frames with cam lock and tension glide assembly
- Easy to store and ship
- Quick to set up
- Weighted feet for added stability
- Kiosk Kit includes a medium or large monitor mount
- Lifetime limited hardware warranty against manufacturer defects

## dimensions:

Hardware	Shipping
Assembled unit: Medium or Large  25.59" w x 70.87" h x 25.59" d 650mm(w) x 1800mm(h) x 650mm(d)  Approximate weight: (excludes cases & monitor mount) Medium or Large  40 lbs / 19 kgs	Packing case(s): Medium or Large 1 OCE Case  Shipping dimensions: OCE: Expandable case length (l) may vary 40" - 66" l x 18" w x 18" h 1016mm-1677mm(l) x 458mm(w) x 458mm(h)  Approximate total shipping weight: (includes cases & monitor mount) Medium 83 lbs / 38 kgs Large 85 lbs / 39 kgs

## additional information:

- Medium monitor mount can hold 32-55" monitor/ max weight 40lbs
- Large monitor mount can hold 40"-65" monitor/ max weight 40lbs
- Monitor not included
- If shipping with backwall kit cases may vary

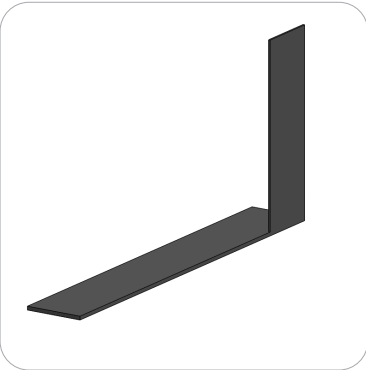
We are continually improving and modifying our product range and reserve the right to vary the specifications without prior notice. All dimensions and weights quoted are approximate and we accept no responsibility for variance. E&OE.

# Included In Your PM4S3 Monitor Kiosk

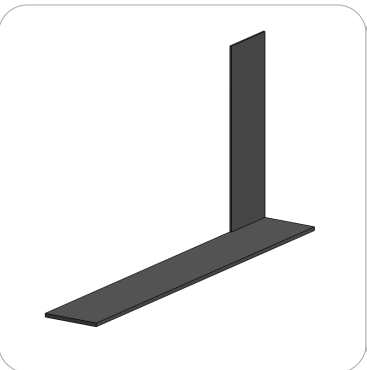
Tools, Components, Connectors & Extrusions



5MM ALLEN-T x1



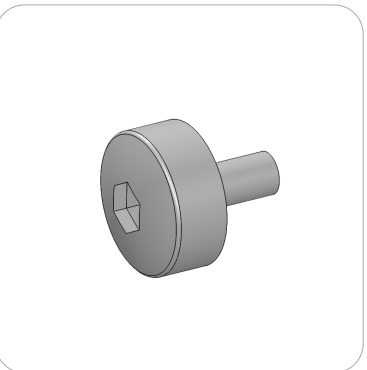
PM4S3-MM-FOOT-L x1



PM4S3-MM-FOOT-R x1



LN100 x4



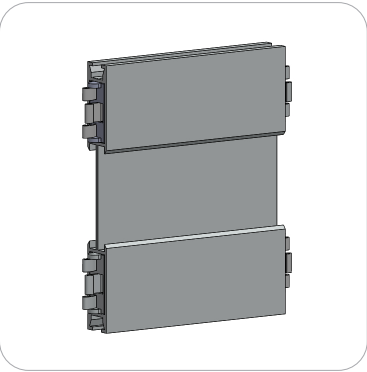
M5 THUMBSCREW x8



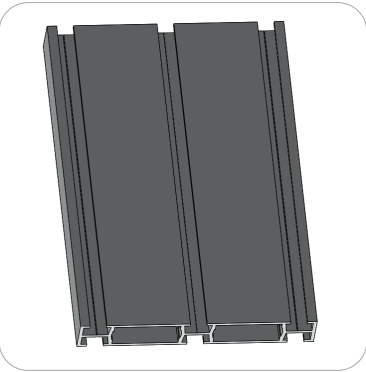
PH2-350-L-L x2



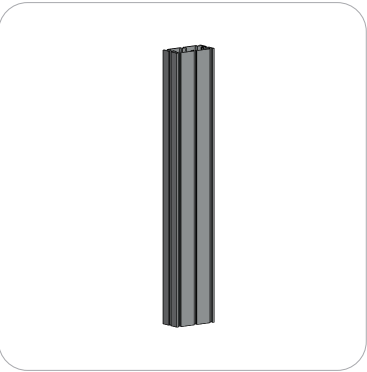
PH-350-L-L x1



PH5-100-L-L x2



PM4S4-150 x2



PM4S3-600-A165-A165 x2



PM4S3-1200-A165-A165 x2



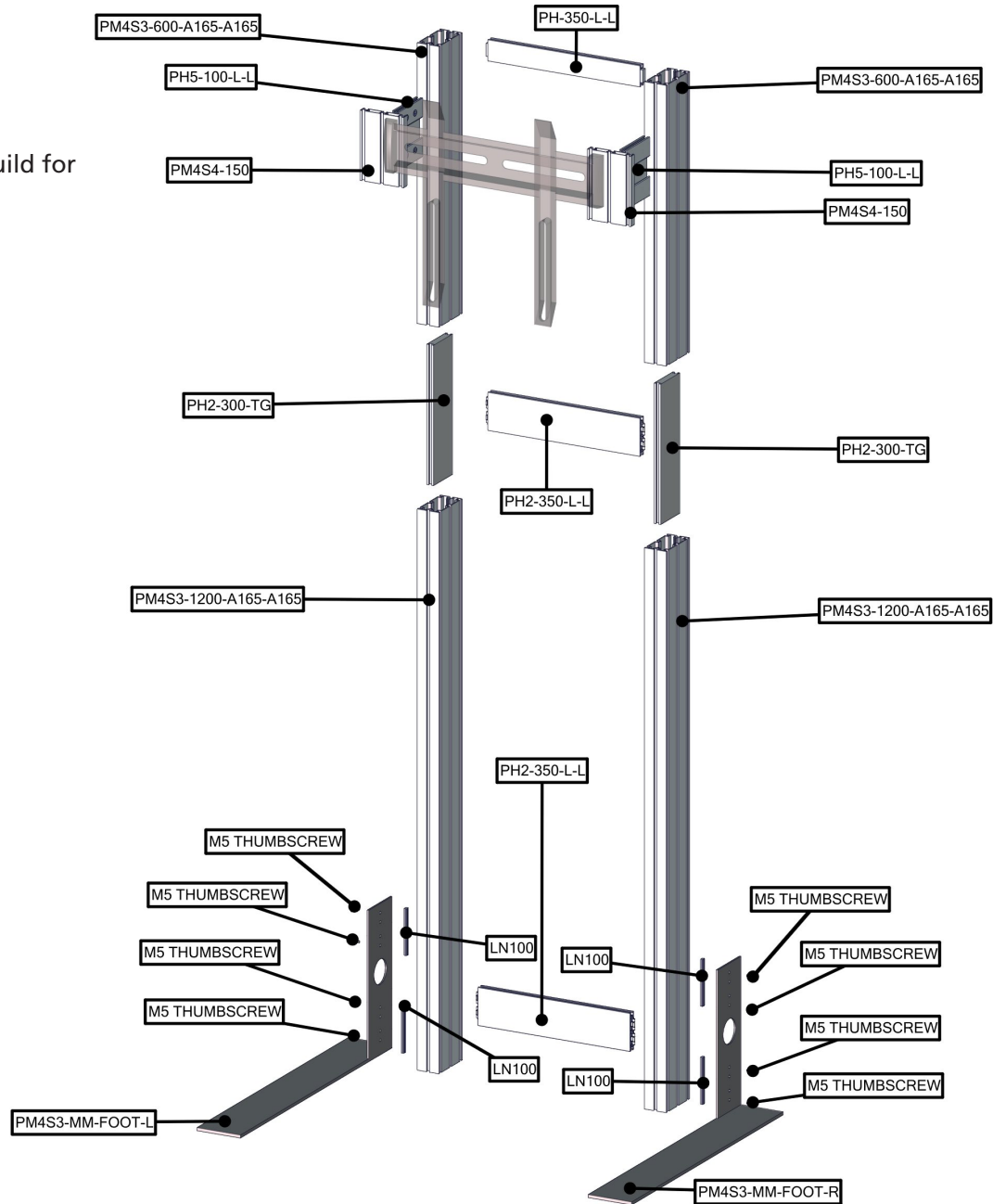
PH2-300-TG x2



MM-M (or) MM-LG x1  
Fastening Hardware Included

# Exploded View

Please note:  
This is the the kiosk frame build for  
either medium or large kit.

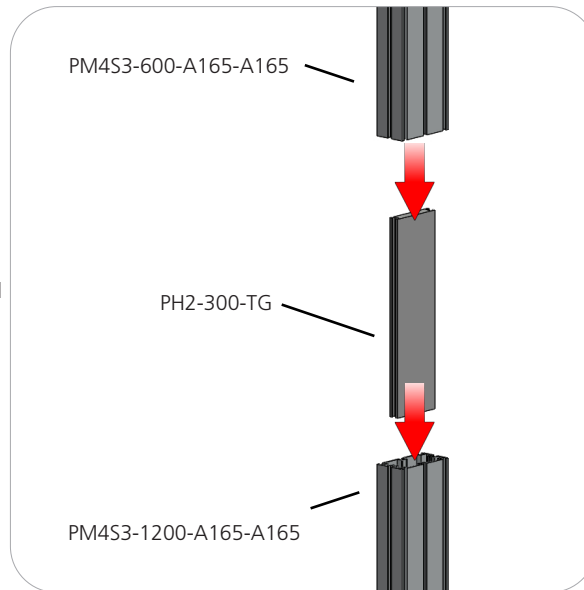


# Kit Assembly

## Step by Step

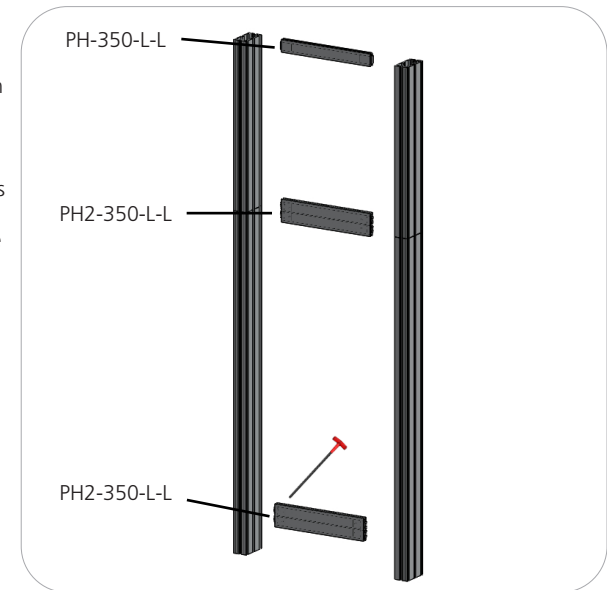
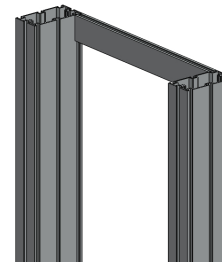
### Step 1.

Reference the image to the right. Locate the coded extrusions. Slide the PH2-300-TG connector into one end of the PM4S3-1200-A165-A165 so that it goes as deep as the internal pins. Connect the PM4S3-600-A165-A165 by sliding it over the PH2-300-TG. Repeat for this step for the second vertical.



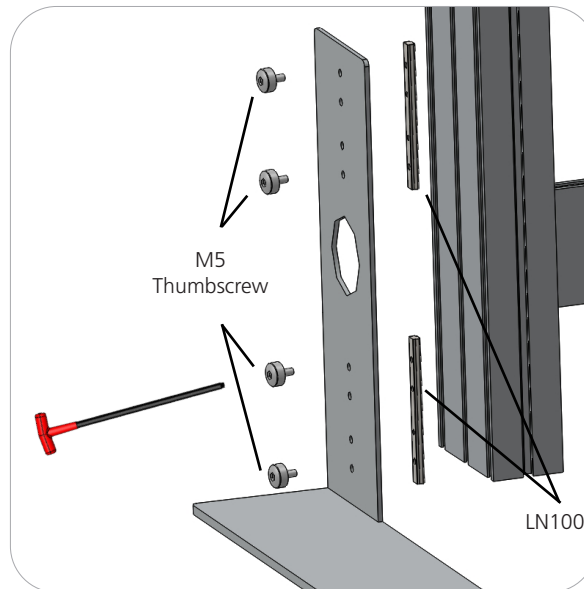
### Step 2.

Collect your PH-350-L-L and both PH2-350-L-L extrusions. Using the provided handtool, lock the extrusions into the back channel of the three channel PM4S3 faces as shown in the image below. Be sure the locks face toward the back of the assembly and do not over tighten.



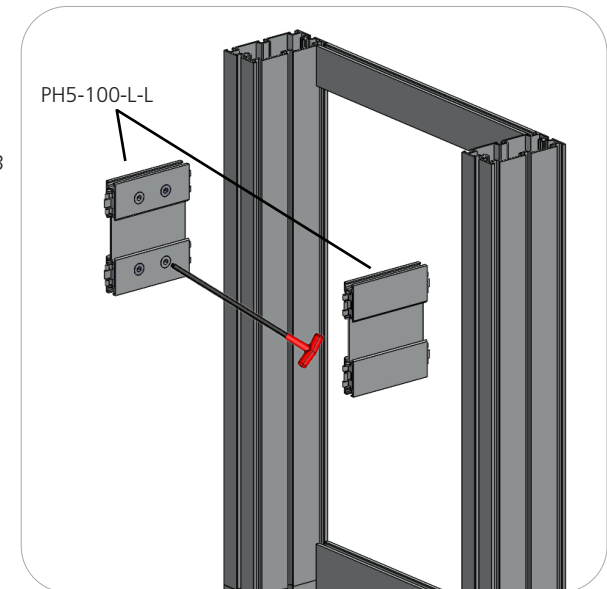
### Step 3.

Locate the M5 thumbscrews, LN100s, and the PM4S3-MM stabilizing bases. Slide the LN100s into the middle channel of the PM4S3. Hand screw the M5 thumbscrews through the base holes and into the LN100 holes. Use the handtool to securely fasten the M5 Thumbscrews. Do not over tighten.



### Step 4.

Measure from the ground to the center of the hole in your main kit's graphic. Lock the center of your PH5-100-L-L into the PM4S3 stacks at the dimension height of the graphic hole. Do not over tighten.



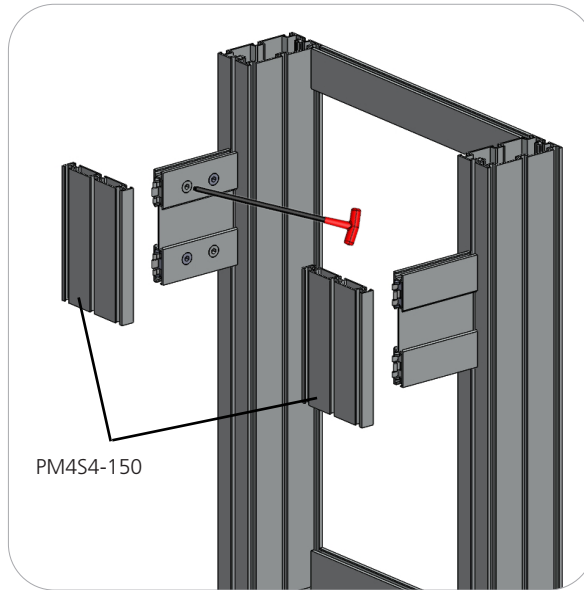
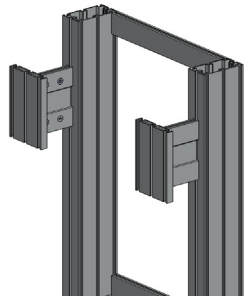
# Kit Assembly

## Step by Step

### Step 5.

NOTE: Your main backwall assembly must be completed with graphics before completing this step of the monitor kit.

Lock your PM4S4-150 to the ends of the PH5-100-L-L. Do not over tighten.



### Step 6.

Set your monitor stand so that the extrusion arms fit through the graphic hole. Use the provided fastening hardware to complete your monitor stand. Slide the Square Head Bolt into the center channel of the PM4S4-150. Apply the monitor bracket and spacer washer before fastening with the wingnut. Monitor mount may vary depending on size. Monitor not included.



MM-M / MM-LG

PM4S4-150

1/4-20 X 1" SQUARE HEAD BOLT

1-4-20 WING NUT

Small spacer washer included.

