

Hybrid Pro Modular Kit 18

HP-K-18

Hybrid Pro™ Modular exhibits and counters are a perfect solution for the serious exhibitor. Exhibits feature heavy-duty aluminum extrusion frames and push-fit fabric graphics. Count on making an unforgettable impact with Hybrid Pro Modular exhibit kits, counters, and accessories.



features and benefits:

- 11'10" tall square shaped island display
- Silver aluminum extrusion frame
- 16 single sided push-fit fabric graphics
- White laminate panel counter
- 16 Lumina 200 LED floodlights
- 8 Literature holders attach to extrusion
- Kit includes frame, sixteen fabric graphic panels, one white laminate counter, eight literature holders, sixteen 200 LED floodlights and one woodcrate
- Reception counter and flooring not included
- Lifetime hardware warranty against manufacturer defects

dimensions:

Hardware	Graphic
<p>Assembled unit: 153.5"w x 141.75"h x 153.5"d 3898.9mm(w) x 3600.45mm(h) x 3898.9mm(d)</p> <p>White laminate panel counter: 48" w x 36" h x 24" d *accessible storage and locking door</p> <p>Front reception counter (RCK-06 not included): 68" w x 36" h x 31" d *accessible storage and locking door</p> <p>Counter holds max weight 50 lbs / 22.7 kgs</p>	<p>Total visual area: Dye Sub Graphic Panels E1, F1, G1, H1, E2, F2, G2, H2 (front and back): 98.375" w x 43.1" h</p> <p>Dye Sub Graphic Panels A1, B1, C1, D1, A2, B2, C2, D2 (front and back): 47.125" w x 86.47" h *Panel A2 viewable area: 47.125" w x 53.127" h</p> <p>UV Graphic Panel I (22mil PVC): 79.1875" w x 35.18" h</p> <p>Please be sure to include a 2" bleed around the perimeter.</p>
<p>Shipping</p> <p>Shipping dimensions - ships in 1 woodcrate: 1 WOODCRATE: 101"l x 53"h x 49"d 2565.4mm(l) x 1346.2mm(h) x 1244.6mm(d)</p> <p>Approximate shipping weight (entire kit): 1083 lbs / 491 kgs</p>	<p>Refer to related graphic templates for more information</p> <p>Visit: www.exhibitors-handbook.com/graphic-templates</p>

additional information:

Fabric material:
Dye-sublimated fabric

Countertop color options:



silver black mahogany natural

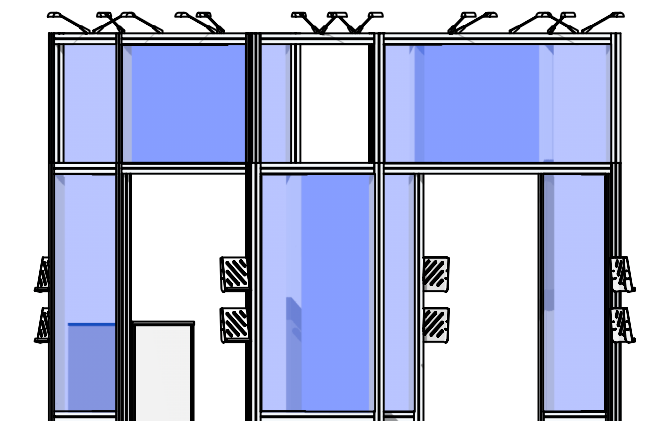
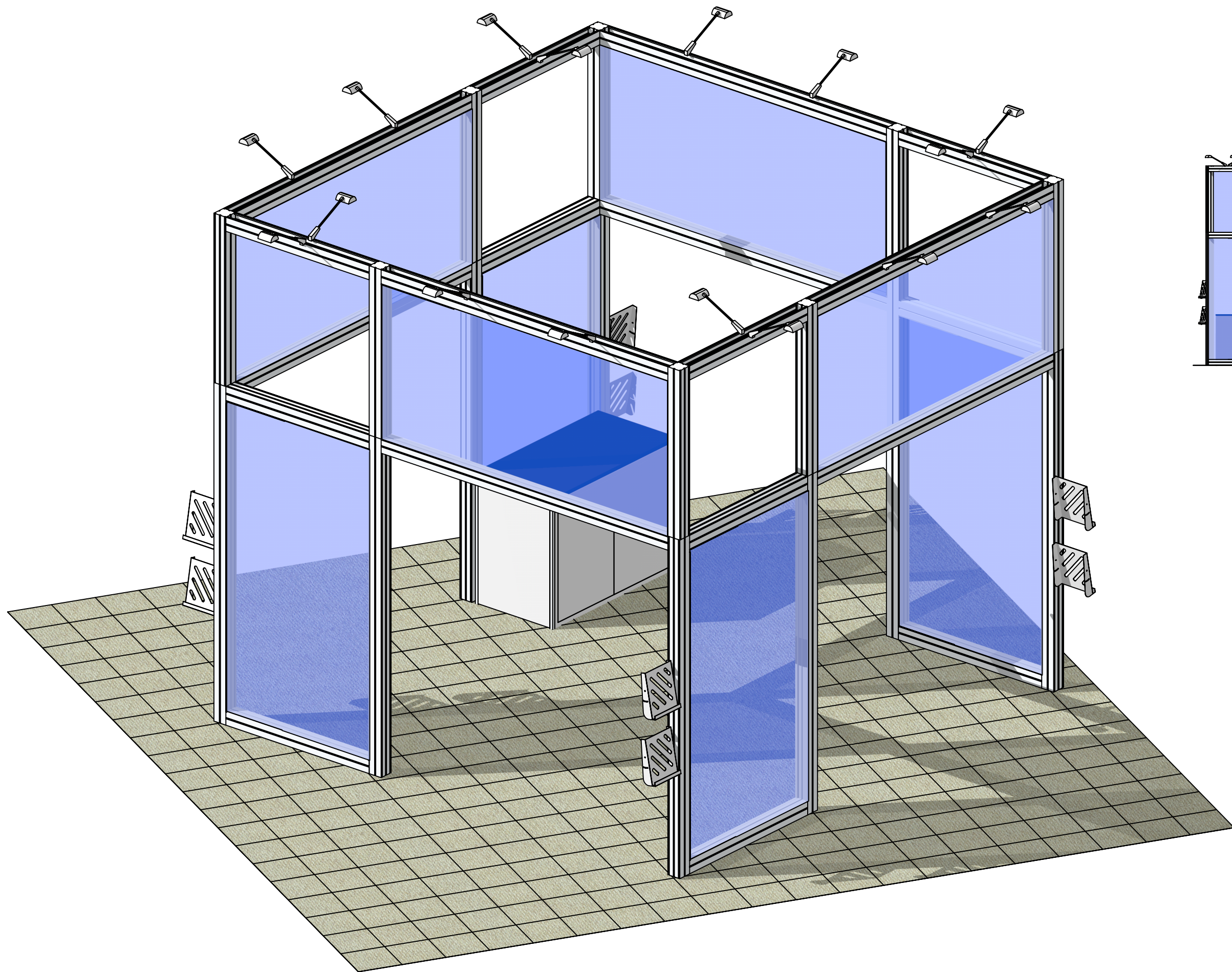
*Front reception counter RCK-06 not included

*Flooring not included

Lights Included: Lumina 200 LED floodlight, straight arm and adjustable head, black finish, 19.5" from end to end

We are continually improving and modifying our product range and reserve the right to vary the specifications without prior notice. All dimensions and weights quoted are approximate and we accept no responsibility for variance. E&OE. See Graphic Templates for graphic bleed specifications.

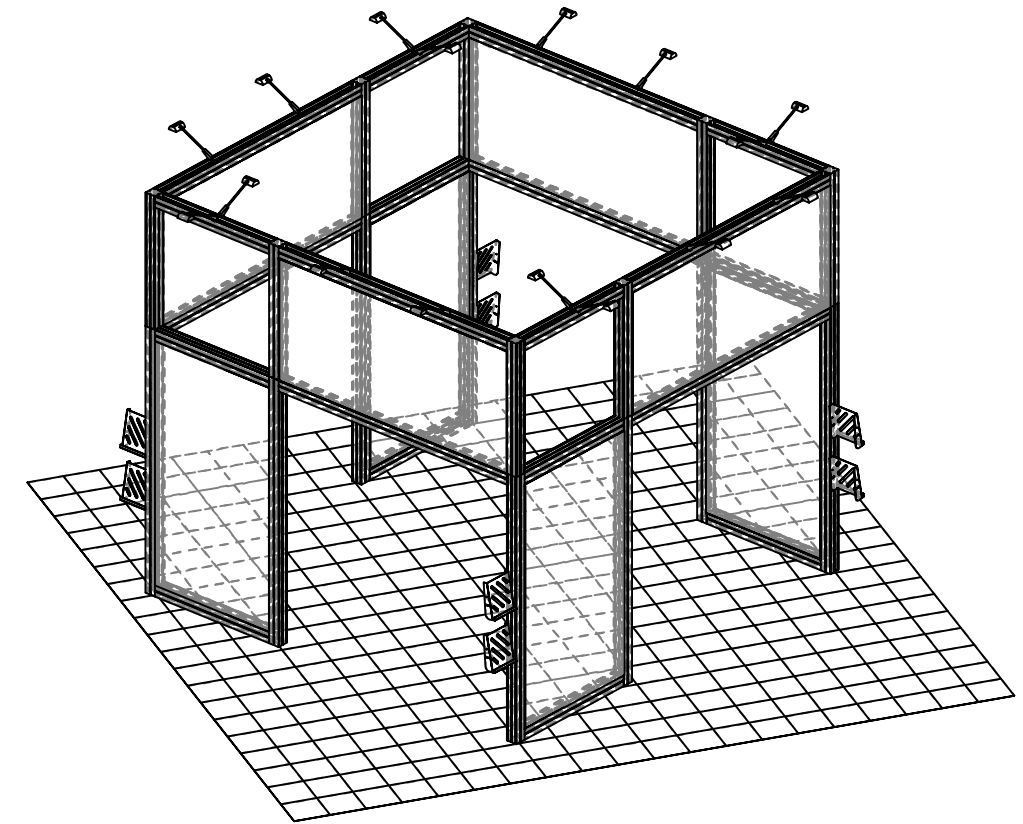
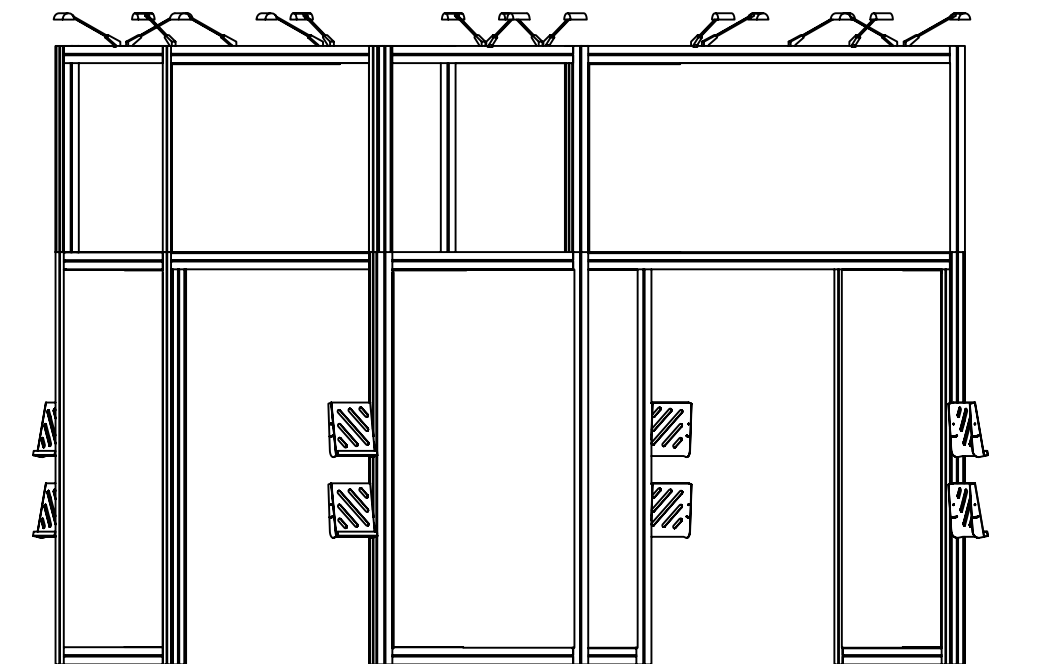
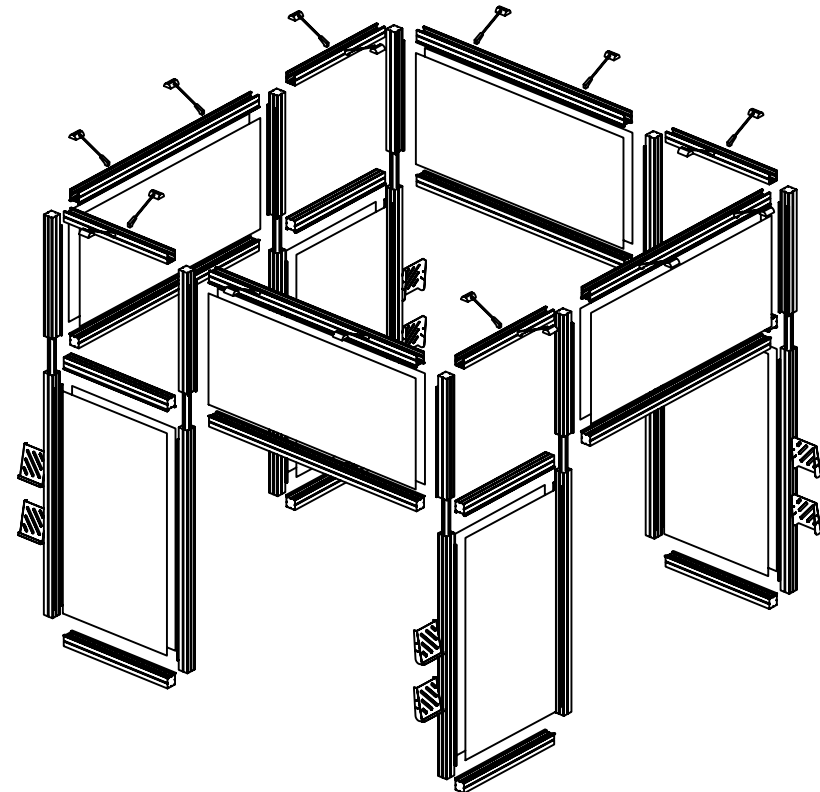
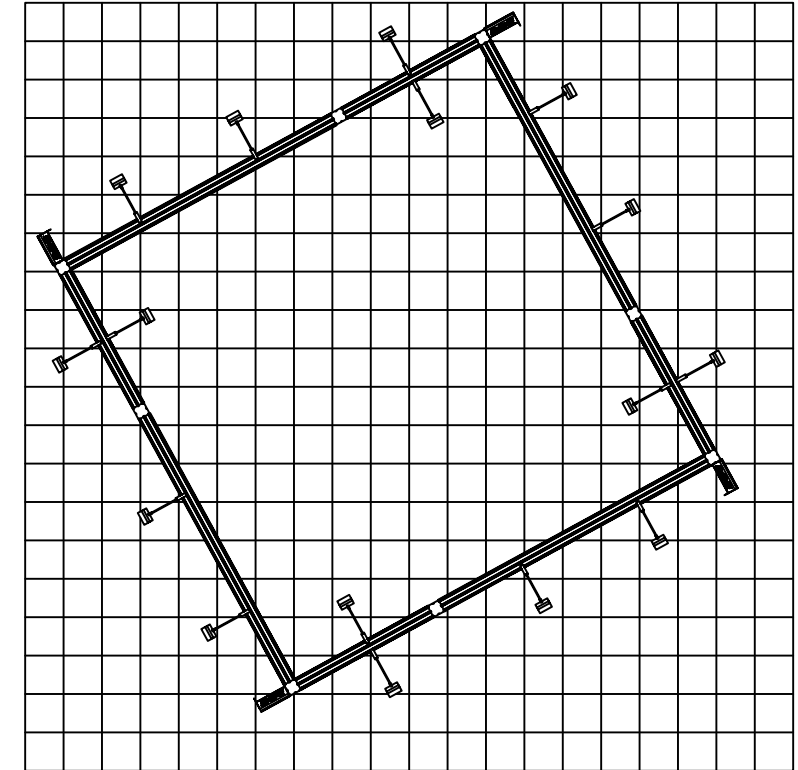
R-HP-K-18

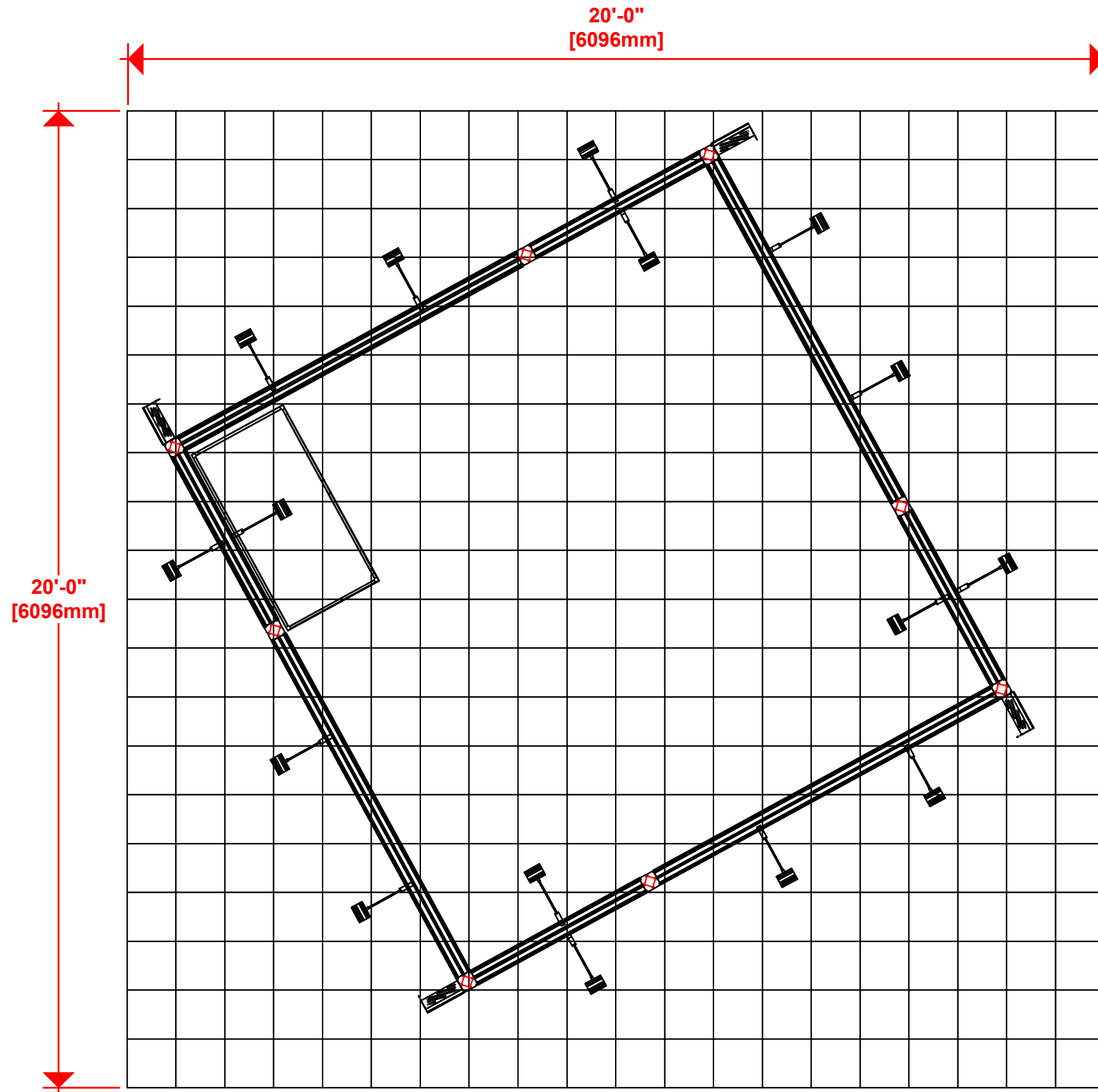


Code	#	Description
PM4LD-U	8	UNIVERSAL BROCHURE HOLDER FOR PM4 EXTRUSION
R75	8	2400MM (94.49") 100MM PM4S2 SQUARE EXTRUSION WITH PH2 STOP AT 302MM
R15	8	1200MM (47.24") 100MM PM4S2 SQUARE EXTRUSION WITH PH2 STOP AT 302MM
R76	8	1200MM (47.24") 100MM PM4S2 SQUARE EXTRUSION WITH LOCKS 2 ENDS
R79	4	1200MM (47.24") 100MM PM4U U-SHAPED EXTRUSION WITH LOCKS 2 ENDS
R77	4	2400MM (94.49") 100MM PM4S2 SQUARE EXTRUSION WITH LOCKS 2 ENDS
R78	4	2400MM (94.49") 100MM PM4U U-SHAPED EXTRUSION WITH LOCKS 2 ENDS
LEDL10S	16	LED SPOTLIGHT,3M,UL PLUG W/TRANSFORMER SILVER
GRAPHIC F1	1	43 1/4" (H) X 94 1/2" (W) SINGLE SIDED DYESUB GRAPHIC W/ FCE-2 (SEG) ON PERIMETER
GRAPHIC E3	2	43 1/4" (H) X 94 1/2" (W) SINGLE SIDED DYESUB GRAPHIC W/ FCE-2 (SEG) ON PERIMETER
GRAPHIC G1	1	43 1/4" (H) X 94 1/2" (W) SINGLE SIDED DYESUB GRAPHIC W/ FCE-2 (SEG) ON PERIMETER
GRAPHIC H1	1	43 1/4" (H) X 94 1/2" (W) SINGLE SIDED DYESUB GRAPHIC W/ FCE-2 (SEG) ON PERIMETER
R83	16	2400MM (94.49") FABRIC CONNECTION EXTRUSION
R82	16	1086MM (42.76") FABRIC CONNECTION EXTRUSION
GRAPHIC B1	1	86 5/8" (H) X 47 1/4" (W) SINGLE SIDED DYESUB GRAPHIC W/ FCE-2 (SEG) ON PERIMETER
R80	16	1200MM (47.24") FABRIC CONNECTION EXTRUSION
R68	16	2186MM (86.06") FABRIC CONNECTION EXTRUSION
GRAPHIC B2	1	86 5/8" (H) X 47 1/4" (W) SINGLE SIDED DYESUB GRAPHIC W/ FCE-2 (SEG) ON PERIMETER
GRAPHIC D2	1	86 5/8" (H) X 47 1/4" (W) SINGLE SIDED DYESUB GRAPHIC W/ FCE-2 (SEG) ON PERIMETER
GRAPHIC D1	1	86 5/8" (H) X 47 1/4" (W) SINGLE SIDED DYESUB GRAPHIC W/ FCE-2 (SEG) ON PERIMETER
GRAPHIC C1	1	86 5/8" (H) X 47 1/4" (W) SINGLE SIDED DYESUB GRAPHIC W/ FCE-2 (SEG) ON PERIMETER
GRAPHIC C2	1	86 5/8" (H) X 47 1/4" (W) SINGLE SIDED DYESUB GRAPHIC W/ FCE-2 (SEG) ON PERIMETER
GRAPHIC A2	1	86 5/8" (H) X 47 1/4" (W) SINGLE SIDED DYESUB GRAPHIC W/ FCE-2 (SEG) ON PERIMETER
GRAPHIC A1	1	86 5/8" (H) X 47 1/4" (W) SINGLE SIDED DYESUB GRAPHIC W/ FCE-2 (SEG) ON PERIMETER
R13	8	600MM (23.62") PM4D CONNECTOR WITH TENSION GLIDES
GRAPHIC F2	1	43 1/4" (H) X 94 1/2" (W) SINGLE SIDED DYESUB GRAPHIC W/ FCE-2 (SEG) ON PERIMETER
GRAPHIC H2	1	43 1/4" (H) X 94 1/2" (W) SINGLE SIDED DYESUB GRAPHIC W/ FCE-2 (SEG) ON PERIMETER
GRAPHIC G2	1	43 1/4" (H) X 94 1/2" (W) SINGLE SIDED DYESUB GRAPHIC W/ FCE-2 (SEG) ON PERIMETER

BOM

R-HP-K-18



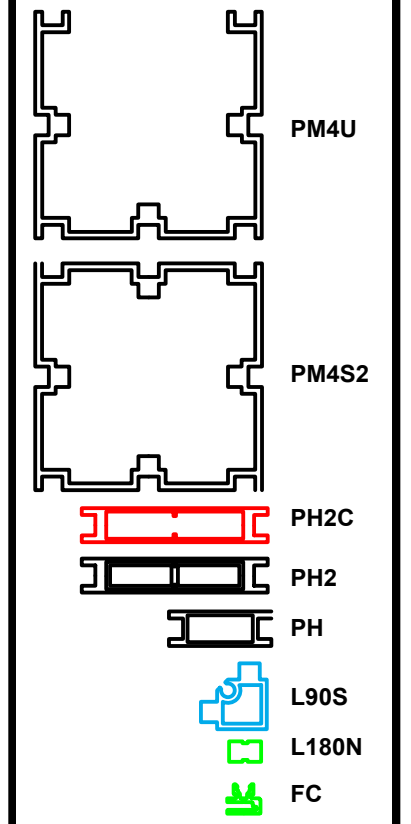


(16) LED 10S LIGHTS = = 50W PER STICK

1. Redesign of this exhibit without approval by manufacturer may result in dangerous and unsafe structures. Manufacturer disclaims any responsibility for redesigned exhibits it does not approve in writing.

2. Parts and components such as panels and extrusions are manufactured to metric sizing. Where ever possible sizes have been noted in feet and inches as well as in metric. Below is the imperial to metric sizing table as reference. "Nominal" refers to approximate size.

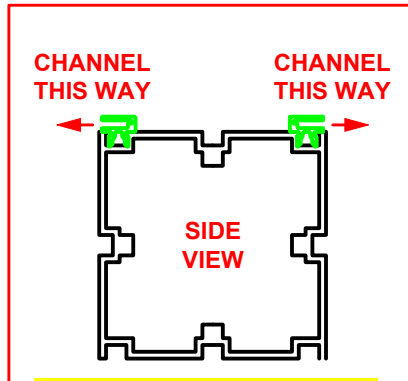
- | | |
|--------------------|---------------------------------|
| 2400mm = (94 1/2") | Phone Line / Fax |
| 2100mm = (82 5/8") | Internet connection |
| 1800mm = (70 7/8") | Outlet |
| 1500mm = (59") | Main Drop (point of distrution) |
| 1200mm = (47 1/4") | |
| 900mm = (35 1/2") | |
| 600mm = (23 5/8") | |
| 300mm = (11 7/8") | |
- Wire running under carpet



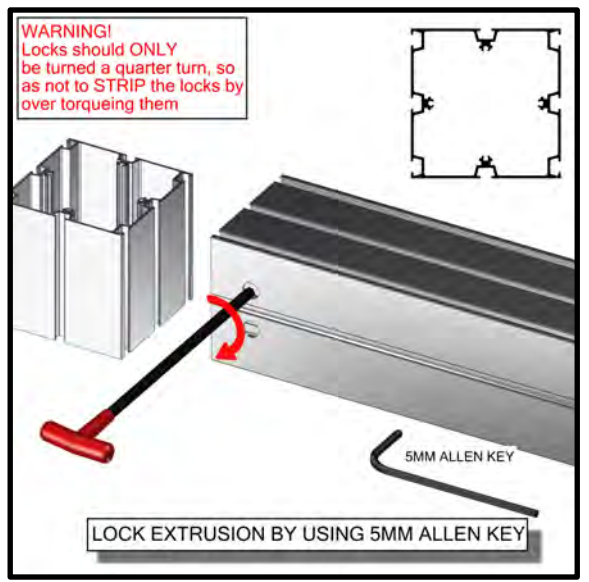
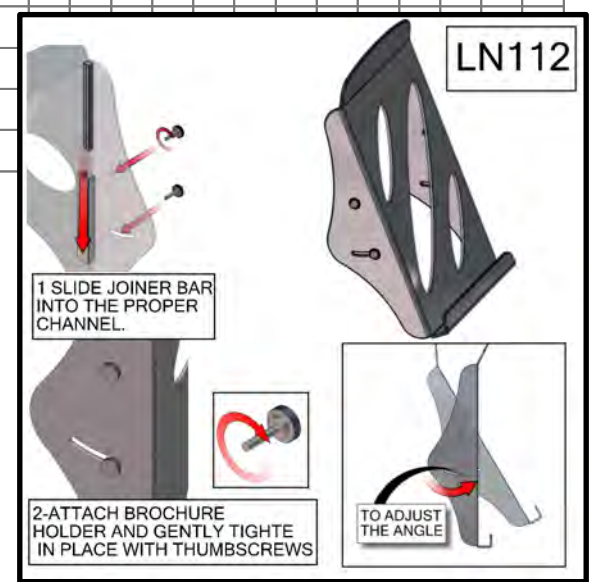
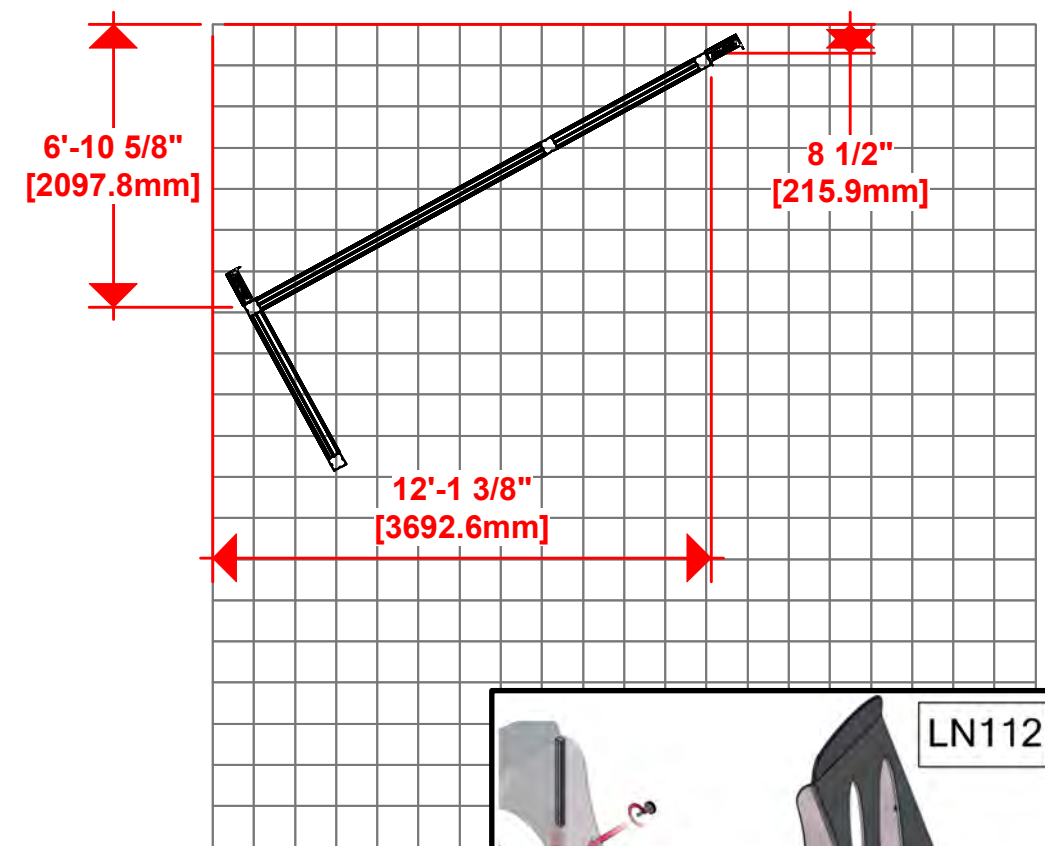
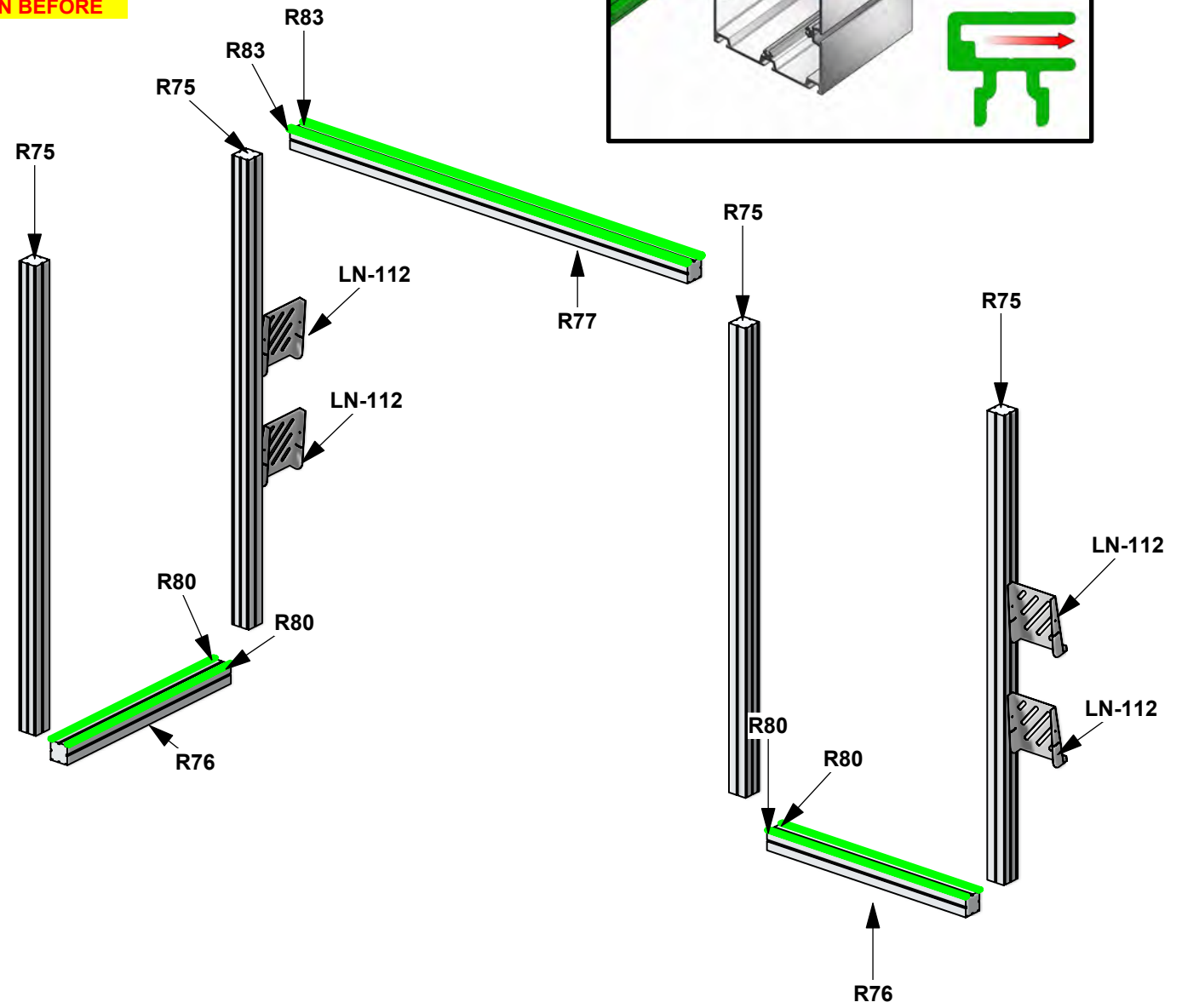
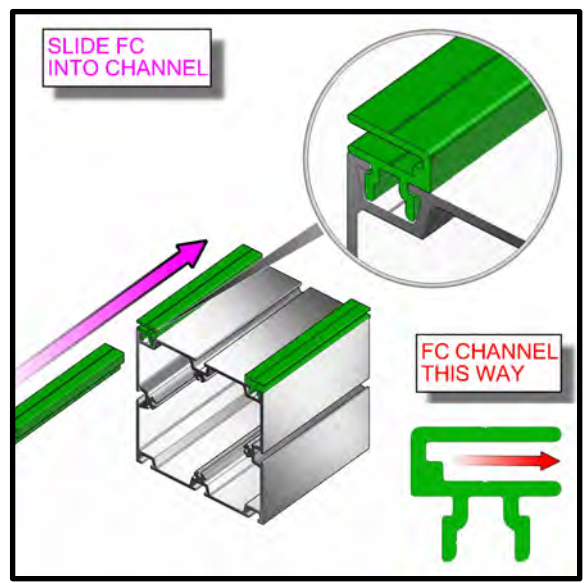
HYBRID PRO RENTAL KIT

Title: SET-UP INSTRUCTIONS

Code	#	Description
LN-112	4	UNIVERSAL BROCHURE HOLDER FOR PM4 EXTRUSION
R75	4	2400MM (94.49") 100MM PM4S2 SQUARE EXTRUSION WITH PH2 STOP AT 302MM
R76	2	1200MM (47.24") 100MM PM4S2 SQUARE EXTRUSION WITH LOCKS 2 ENDS
R77	1	2400MM (94.49") 100MM PM4S2 SQUARE EXTRUSION WITH LOCKS 2 ENDS
R83	2	2400MM (94.49") FABRIC CONNECTION EXTRUSION
R80	4	1200MM (47.24") FABRIC CONNECTION EXTRUSION



NOTE: MAKE SURE TO SLIDE FC EXTRUSION BEFORE

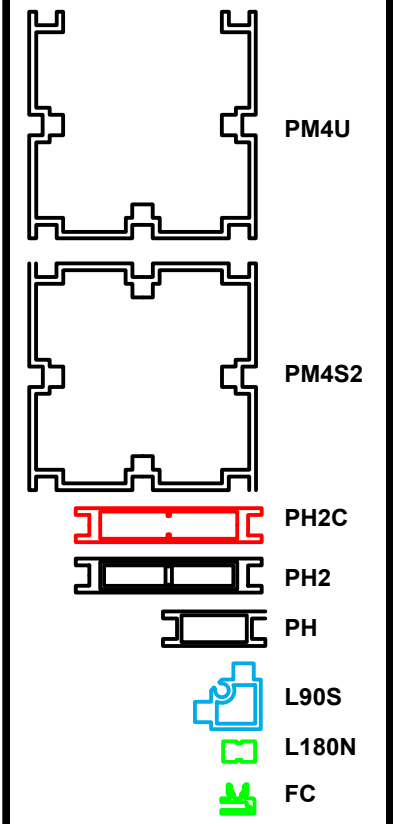


1. Redesign of this exhibit without approval by manufacturer may result in dangerous and unsafe structures. Manufacturer disclaims any responsibility for redesigned exhibits it does not approve in writing.

2. Parts and components such as panels and extrusions are manufactured to metric sizing. Where ever possible sizes have been noted in feet and inches as well as in metric. Below is the imperial to metric sizing table as reference. "Nominal" refers to approximate size.

2400mm = (94 1/2")	Phone Line / Fax
2100mm = (82 5/8")	Internet connection
1800mm = (70 7/8")	Outlet
1500mm = (59")	Main Drop (point of distrution)
1200mm = (47 1/4")	
900mm = (35 1/2")	
600mm = (23 5/8")	
300mm = (11 7/8")	

--- Wire running under carpet

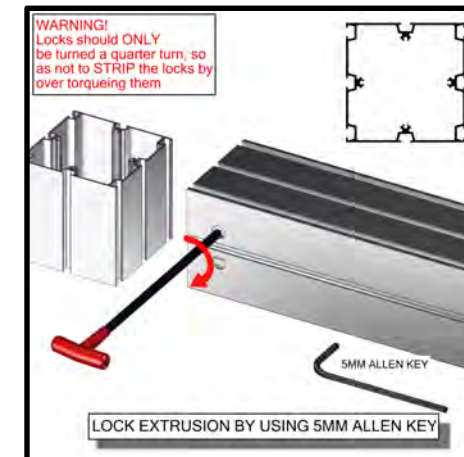
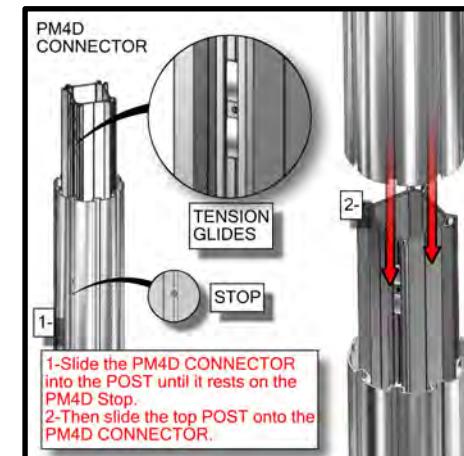
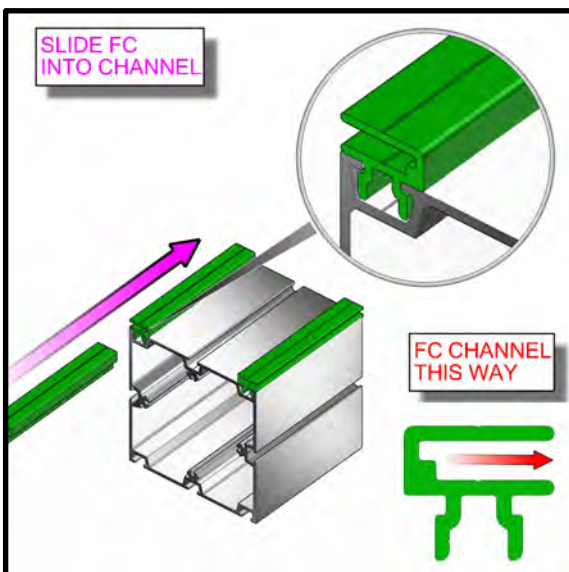
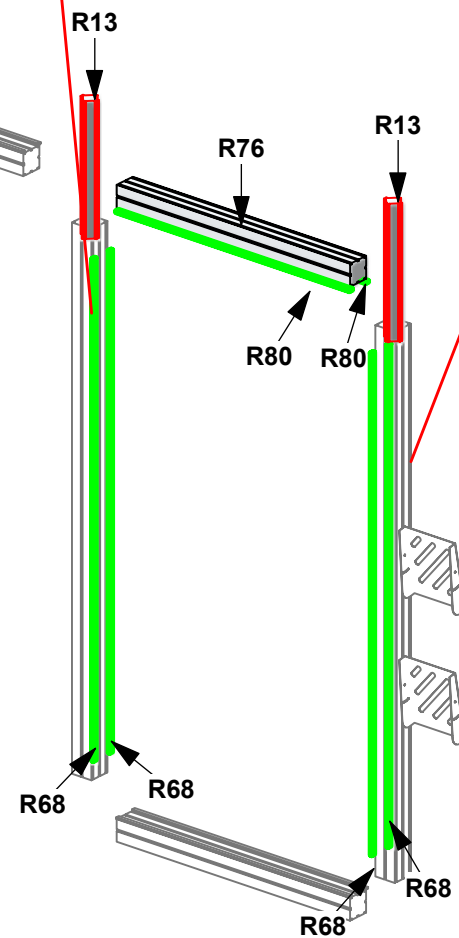
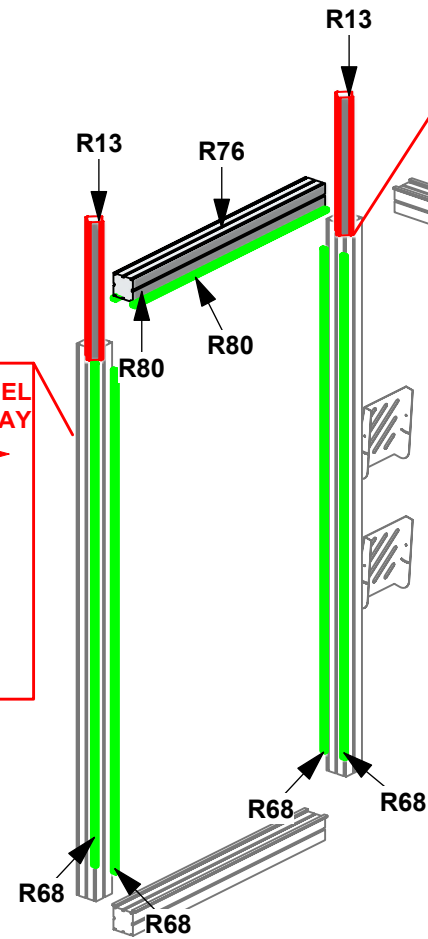
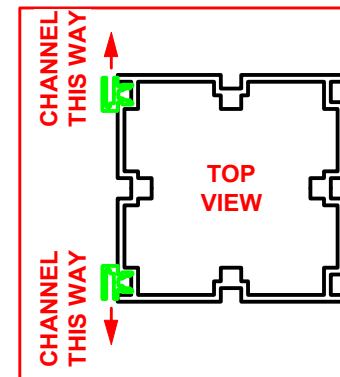
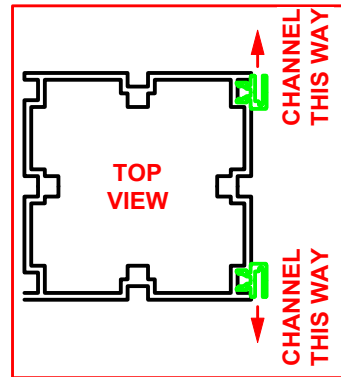
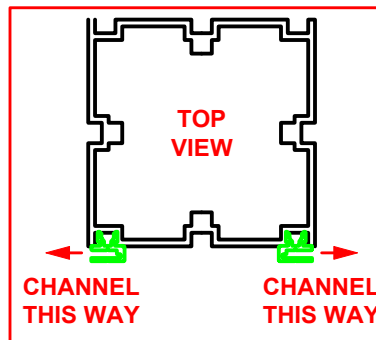
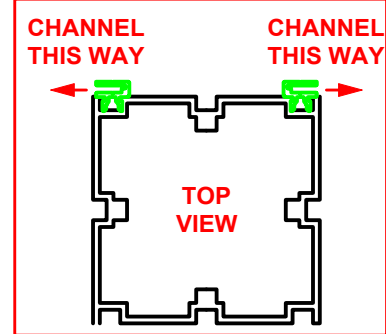
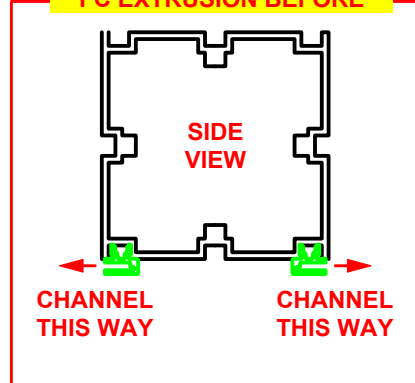


HYBRID PRO RENTAL KIT

Title: SET-UP INSTRUCTIONS

Code	#	Description
R76	2	1200MM (47.24") 100MM PM4S2 SQUARE EXTRUSION WITH LOCKS 2 ENDS
R80	4	1200MM (47.24") FABRIC CONNECTION EXTRUSION
R68	8	2186MM (86.06") FABRIC CONNECTION EXTRUSION
R13	4	600MM (23.62") PM4D CONNECTOR WITH TENSION GLIDES

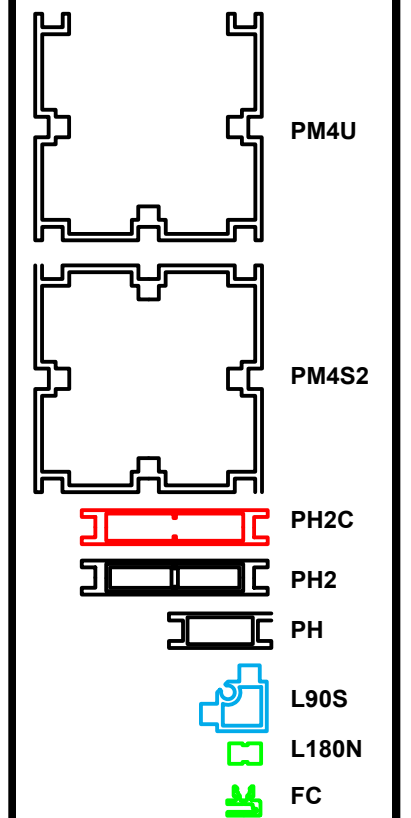
NOTE: MAKE SURE TO SLIDE FC EXTRUSION BEFORE



1. Redesign of this exhibit without approval by manufacturer may result in dangerous and unsafe structures. Manufacturer disclaims any responsibility for redesigned exhibits it does not approve in writing.

2. Parts and components such as panels and extrusions are manufactured to metric sizing. Where ever possible sizes have been noted in feet and inches as well as in metric. Below is the imperial to metric sizing table as reference. "Nominal" refers to approximate size.

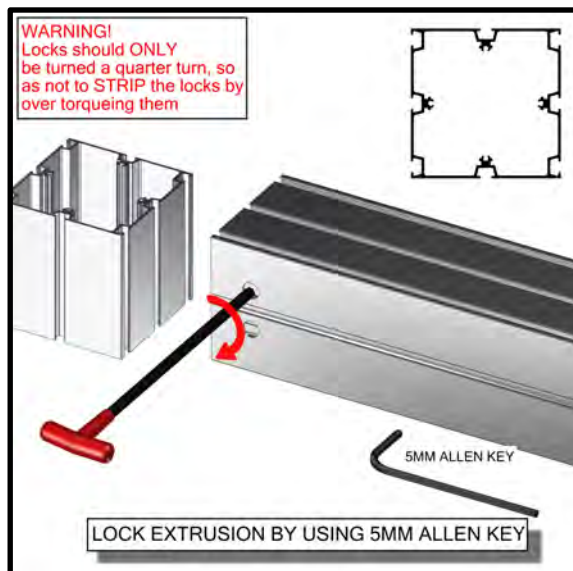
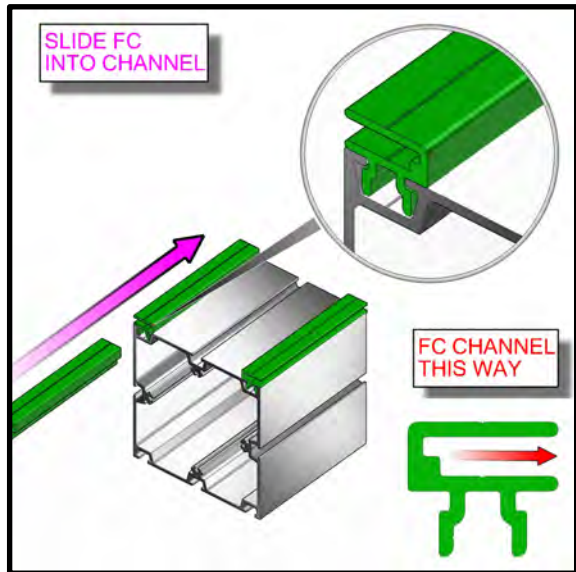
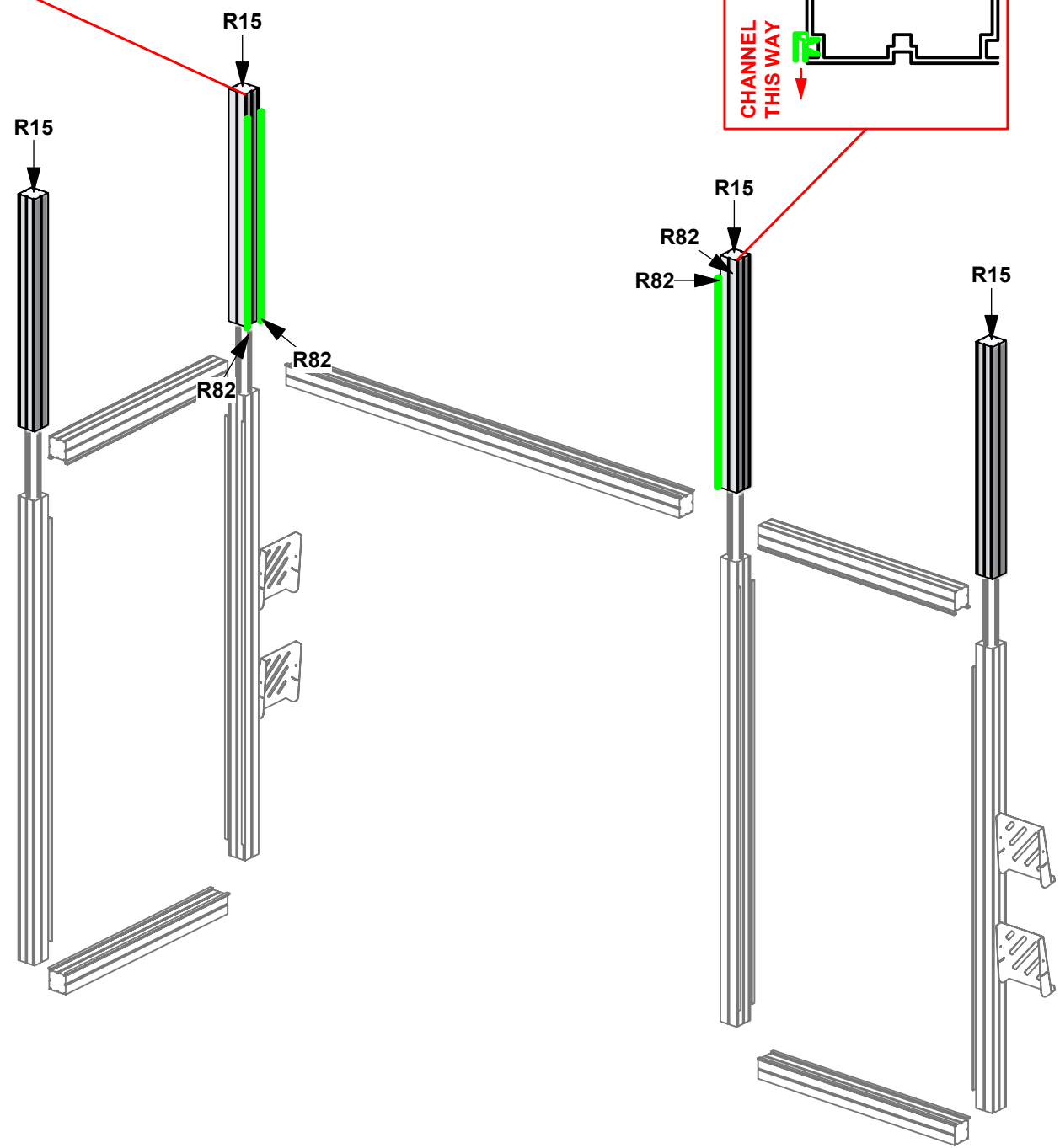
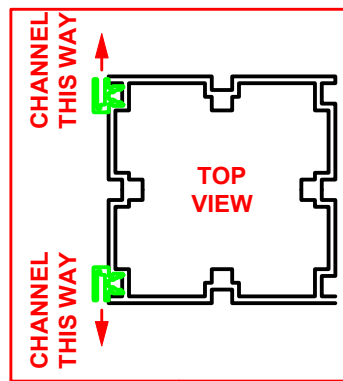
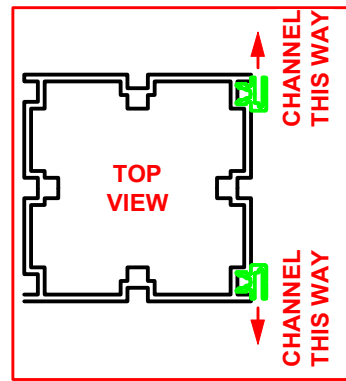
- 2400mm = (94 1/2")
 - 2100mm = (82 5/8")
 - 1800mm = (70 7/8")
 - 1500mm = (59")
 - 1200mm = (47 1/4")
 - 900mm = (35 1/2")
 - 600mm = (23 5/8")
 - 300mm = (11 7/8")
- Phone Line / Fax
 - Internet connection
 - Outlet
 - Main Drop (point of distrution)
- Wire running under carpet



HYBRID PRO RENTAL KIT

Title: SET-UP INSTRUCTIONS

Code	#	Description
R15	4	1200MM (47.24") 100MM PM4S2 SQUARE EXTRUSION WITH PH2 STOP AT 302MM
R82	4	1086MM (42.76") FABRIC CONNECTION EXTRUSION

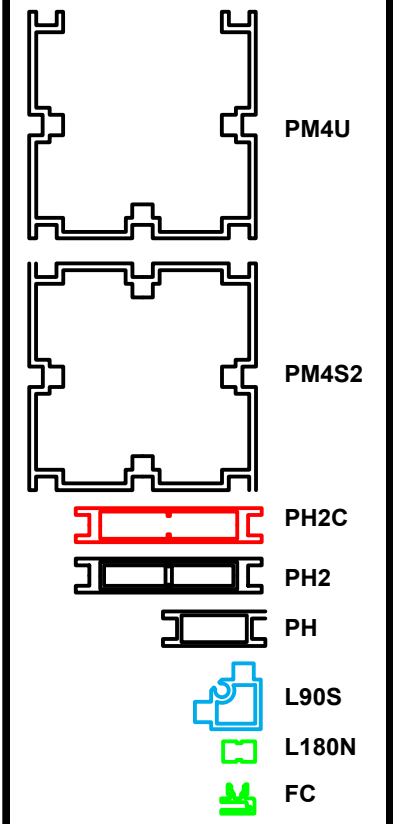


1. Redesign of this exhibit without approval by manufacturer may result in dangerous and unsafe structures. Manufacturer disclaims any responsibility for redesigned exhibits it does not approve in writing.

2. Parts and components such as panels and extrusions are manufactured to metric sizing. Where ever possible sizes have been noted in feet and inches as well as in metric. Below is the imperial to metric sizing table as reference. "Nominal" refers to approximate size.

2400mm = (94 1/2")	Phone Line / Fax
2100mm = (82 5/8")	Internet connection
1800mm = (70 7/8")	Outlet
1500mm = (59")	Main Drop (point of distrution)
1200mm = (47 1/4")	
900mm = (35 1/2")	
600mm = (23 5/8")	
300mm = (11 7/8")	

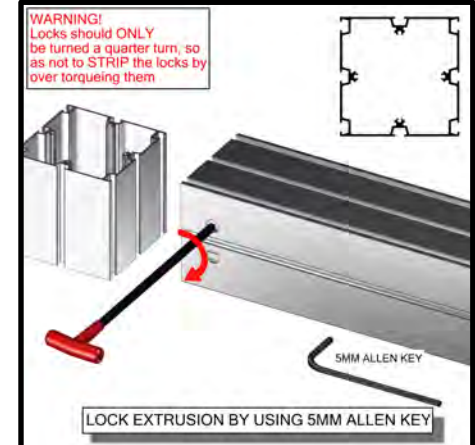
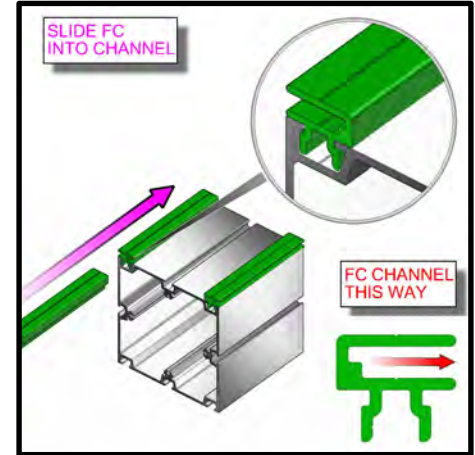
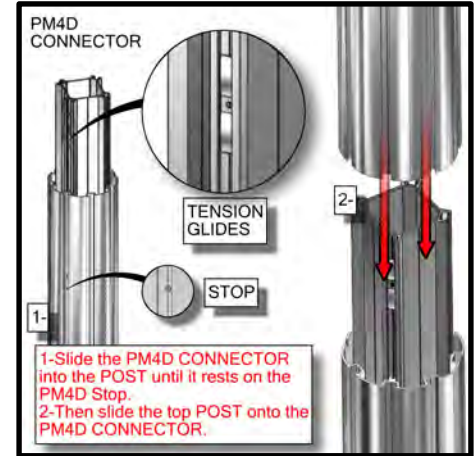
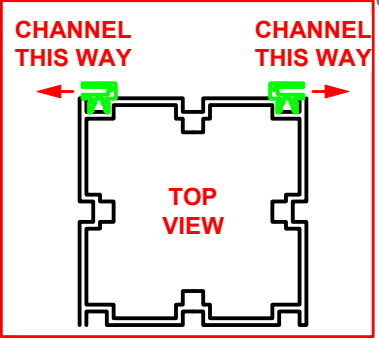
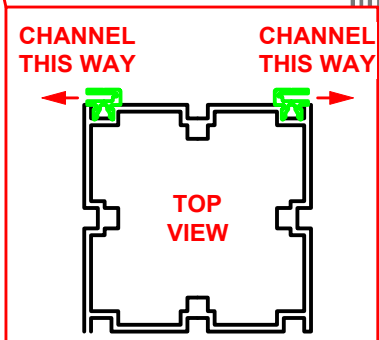
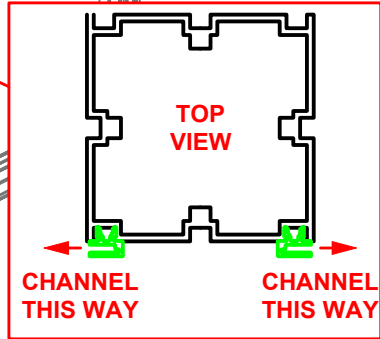
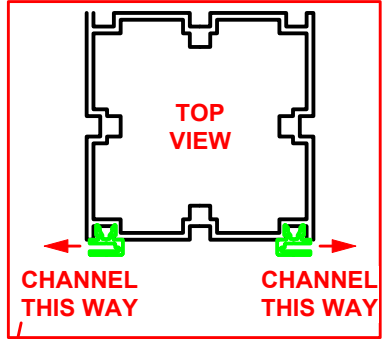
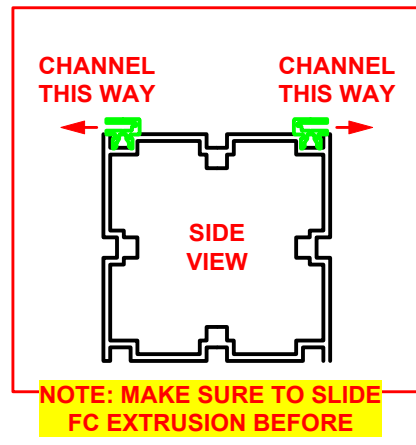
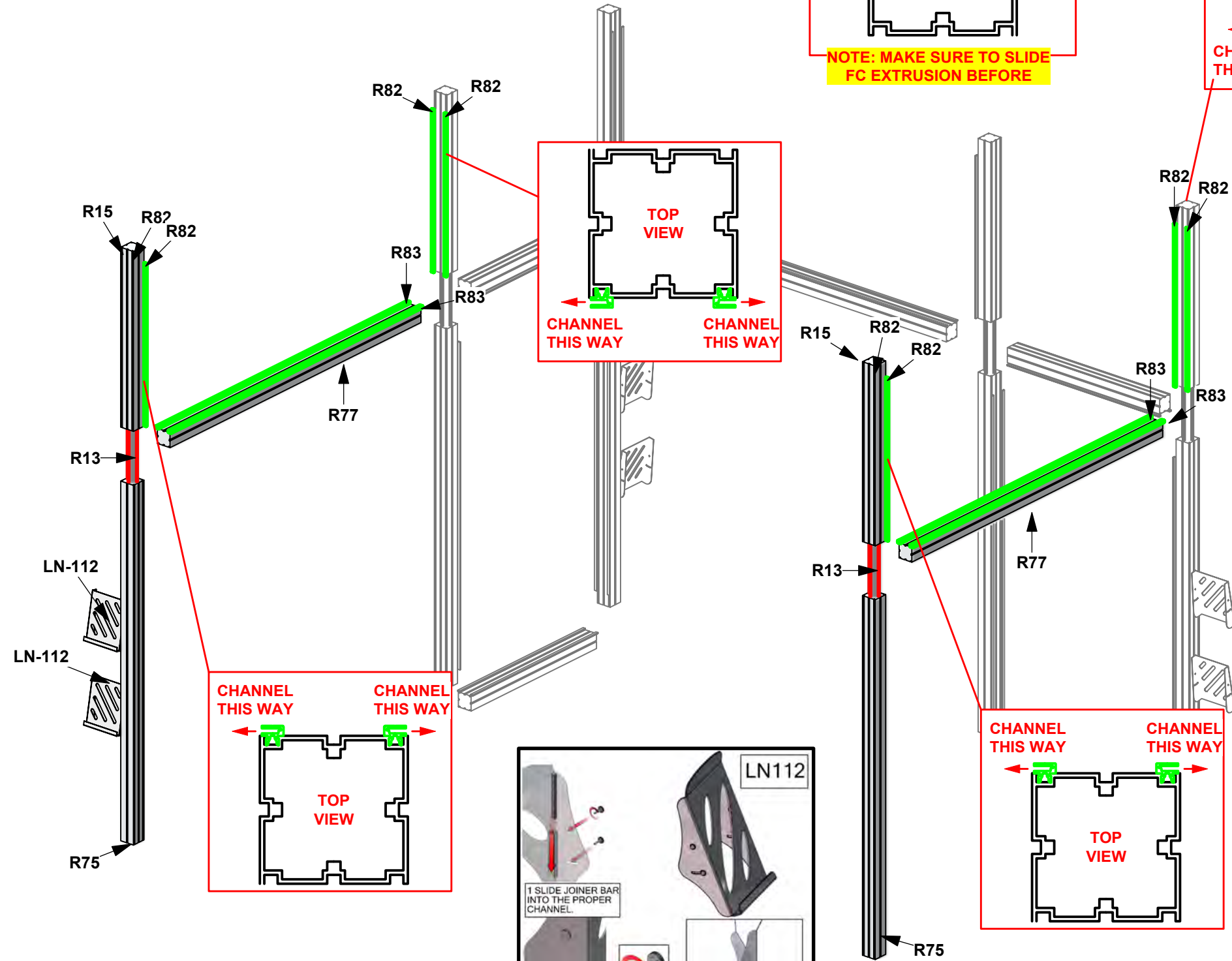
--- Wire running under carpet



HYBRID PRO RENTAL KIT

Title: SET-UP INSTRUCTIONS

Code	#	Description
R77	2	2400MM (94.49") 100MM PM4S2 SQUARE EXTRUSION WITH LOCKS 2 E
R75	2	2400MM (94.49") 100MM PM4S2 SQUARE EXTRUSION WITH PH2 STOP
R15	2	1200MM (47.24") 100MM PM4S2 SQUARE EXTRUSION WITH PH2 STOP
R83	4	2400MM (94.49") FABRIC CONNECTION EXTRUSION
R82	8	1086MM (42.76") FABRIC CONNECTION EXTRUSION
R13	2	600MM (23.62") PM4D CONNECTOR WITH TENSION GLIDES

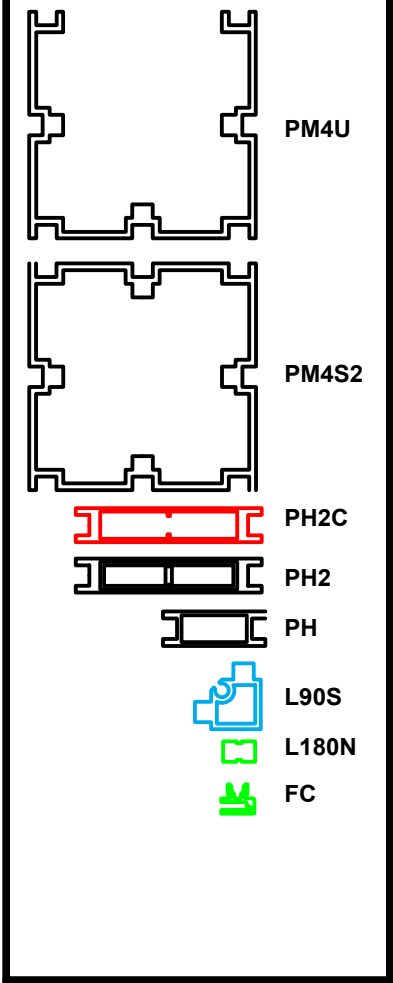


1. Redesign of this exhibit without approval by manufacturer may result in dangerous and unsafe structures. Manufacturer disclaims any responsibility for redesigned exhibits it does not approve in writing.

2. Parts and components such as panels and extrusions are manufactured to metric sizing. Where ever possible sizes have been noted in feet and inches as well as in metric. Below is the imperial to metric sizing table as reference. "Nominal" refers to approximate size.

2400mm = (94 1/2")	Phone Line / Fax
2100mm = (82 5/8")	Internet connection
1800mm = (70 7/8")	Outlet
1500mm = (59")	Main Drop (point of distrution)
1200mm = (47 1/4")	
900mm = (35 1/2")	
600mm = (23 5/8")	
300mm = (11 7/8")	

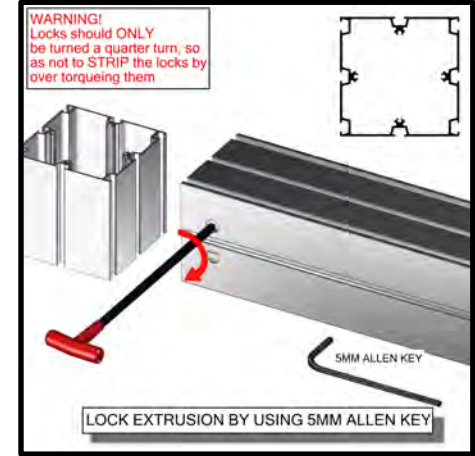
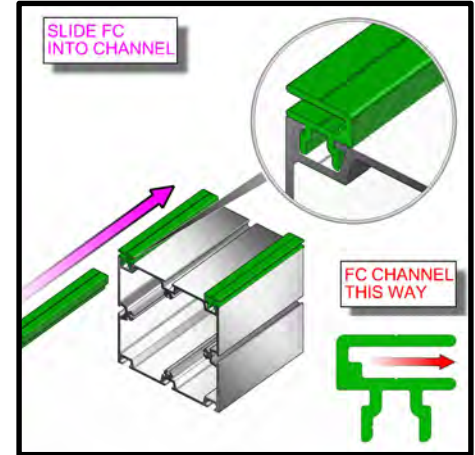
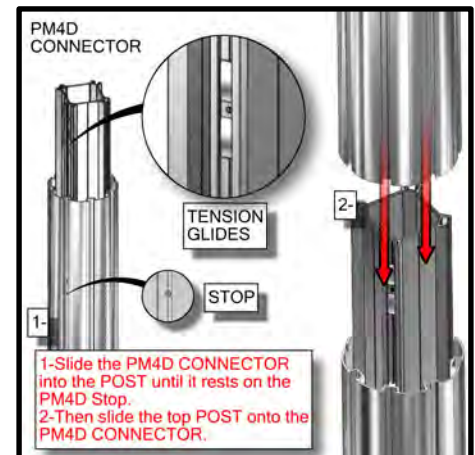
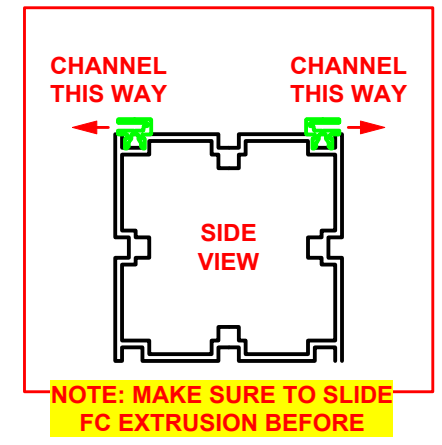
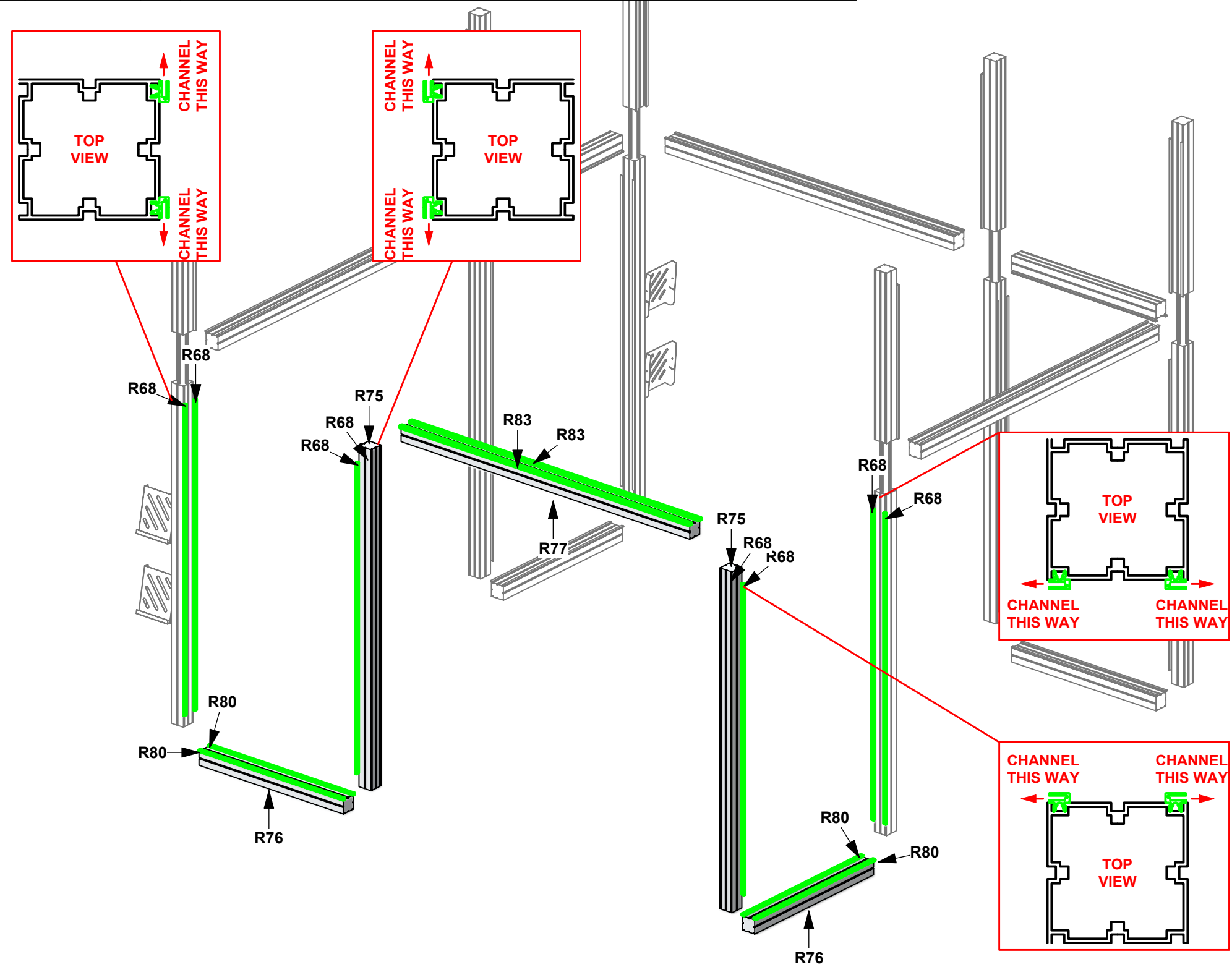
--- Wire running under carpet



HYBRID PRO RENTAL KIT

Title: SET-UP INSTRUCTIONS

Code	#	Description
R76	2	1200MM (47.24") 100MM PM4S2 SQUARE EXTRUSION WITH LOCKS 2 ENDS
R75	2	2400MM (94.49") 100MM PM4S2 SQUARE EXTRUSION WITH PH2 STOP AT 302MM
R77	1	2400MM (94.49") 100MM PM4S2 SQUARE EXTRUSION WITH LOCKS 2 ENDS
R83	2	2400MM (94.49") FABRIC CONNECTION EXTRUSION
R80	4	1200MM (47.24") FABRIC CONNECTION EXTRUSION
R68	8	2186MM (86.06") FABRIC CONNECTION EXTRUSION

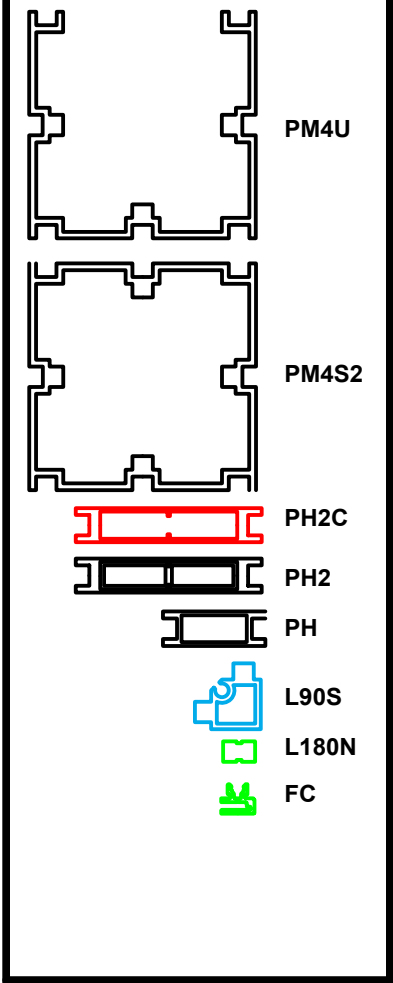


1. Redesign of this exhibit without approval by manufacturer may result in dangerous and unsafe structures. Manufacturer disclaims any responsibility for redesigned exhibits it does not approve in writing.

2. Parts and components such as panels and extrusions are manufactured to metric sizing. Where ever possible sizes have been noted in feet and inches as well as in metric. Below is the imperial to metric sizing table as reference. "Nominal" refers to approximate size.

2400mm = (94 1/2")	Phone Line / Fax
2100mm = (82 5/8")	Internet connection
1800mm = (70 7/8")	Outlet
1500mm = (59")	Main Drop (point of distrution)
1200mm = (47 1/4")	
900mm = (35 1/2")	
600mm = (23 5/8")	
300mm = (11 7/8")	

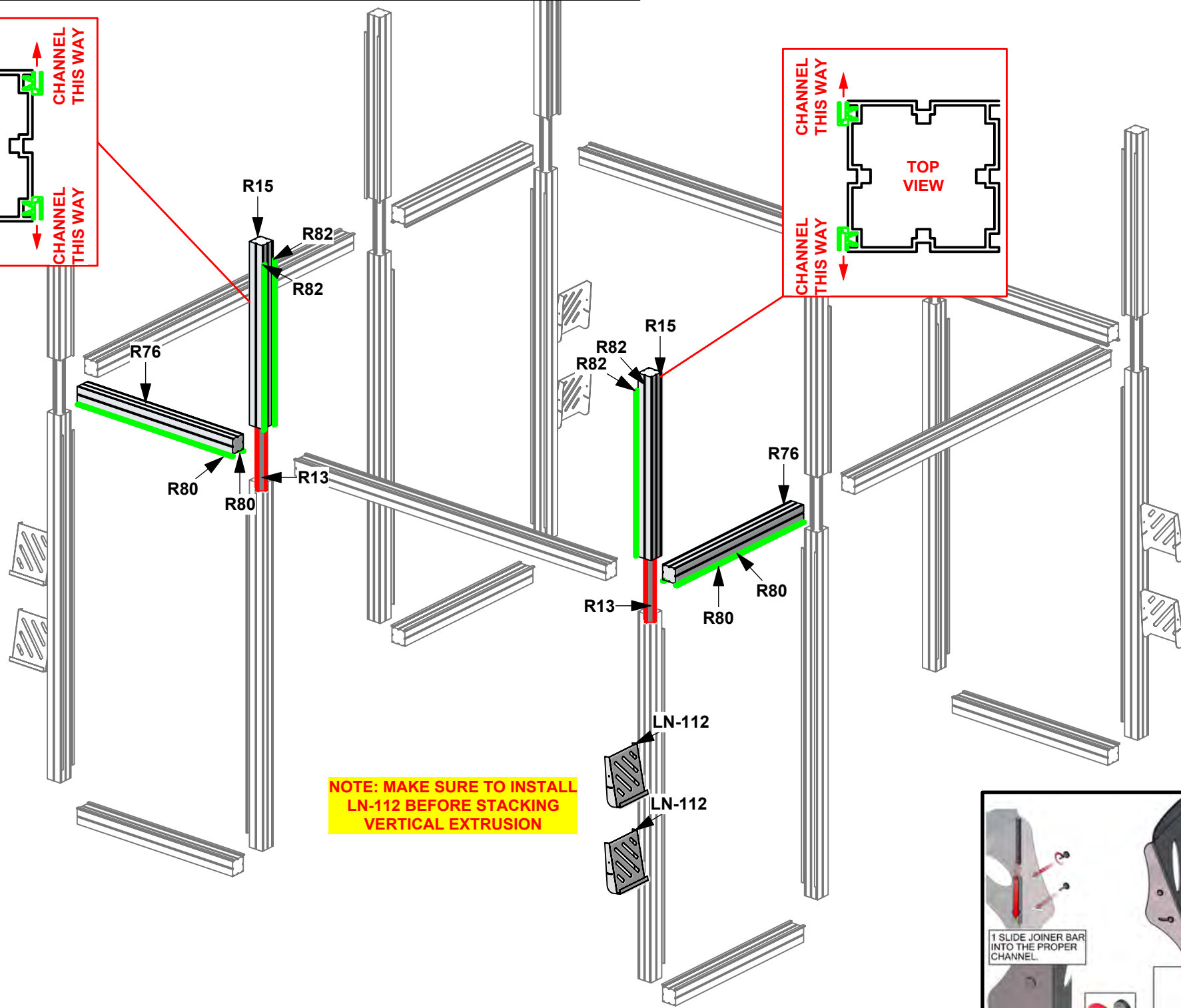
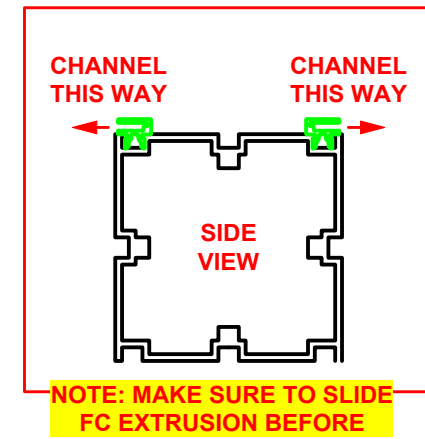
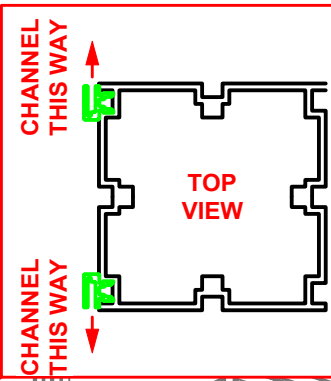
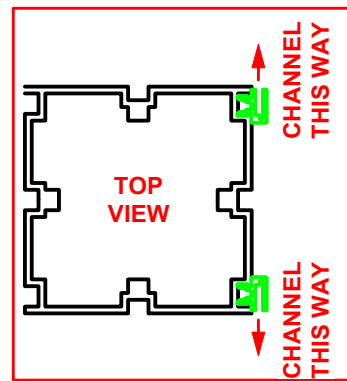
--- Wire running under carpet



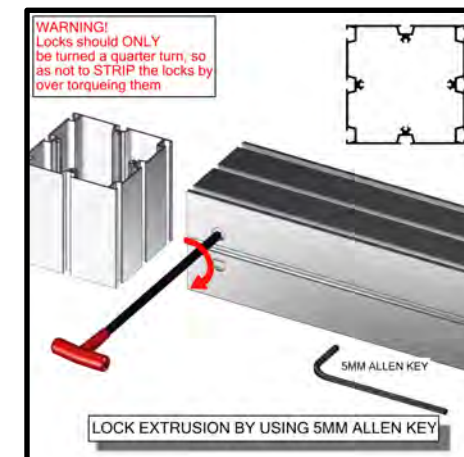
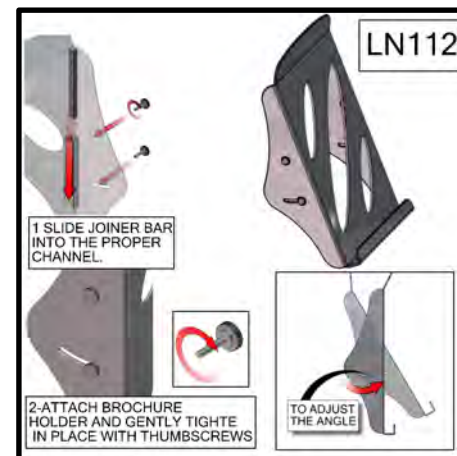
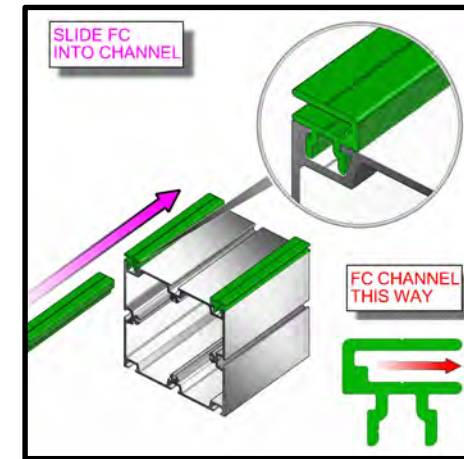
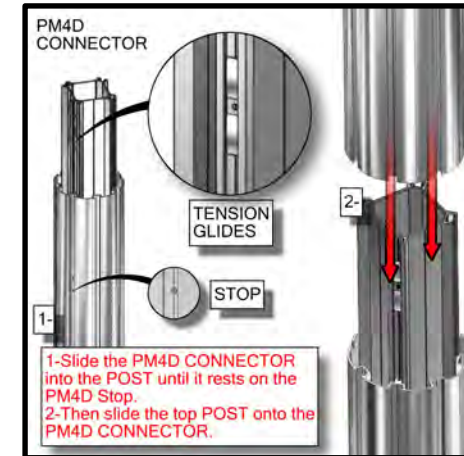
HYBRID PRO RENTAL KIT

Title: SET-UP INSTRUCTIONS

Code	#	Description
LN-112	3	UNIVERSAL BROCHURE HOLDER FOR PM4 EXTRUSION
R15	2	1200MM (47.24") 100MM PM4S2 SQUARE EXTRUSION WITH PH2 STOP AT 30
R76	2	1200MM (47.24") 100MM PM4S2 SQUARE EXTRUSION WITH LOCKS 2 ENDS
R82	4	1086MM (42.76") FABRIC CONNECTION EXTRUSION
R80	4	1200MM (47.24") FABRIC CONNECTION EXTRUSION
R13	2	600MM (23.62") PM4D CONNECTOR WITH TENSION GLIDES



NOTE: MAKE SURE TO INSTALL LN-112 BEFORE STACKING VERTICAL EXTRUSION

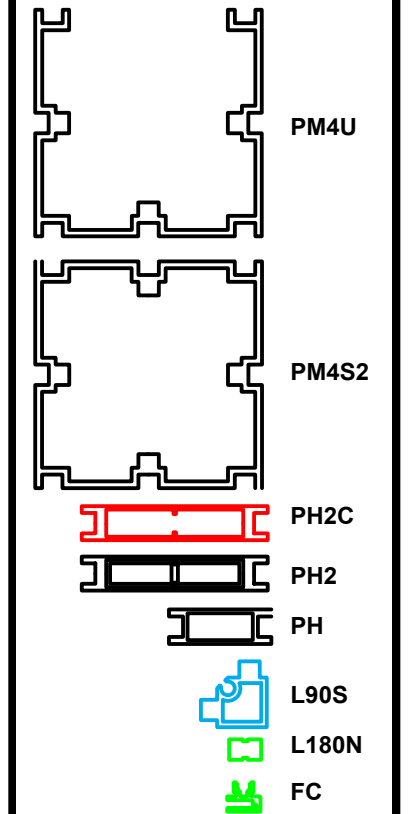


1. Redesign of this exhibit without approval by manufacturer may result in dangerous and unsafe structures. Manufacturer disclaims any responsibility for redesigned exhibits it does not approve in writing.

2. Parts and components such as panels and extrusions are manufactured to metric sizing. Where ever possible sizes have been noted in feet and inches as well as in metric. Below is the imperial to metric sizing table as reference. "Nominal" refers to approximate size.

2400mm = (94 1/2")	Phone Line / Fax
2100mm = (82 5/8")	Internet connection
1800mm = (70 7/8")	Outlet
1500mm = (59")	Main Drop (point of distrution)
1200mm = (47 1/4")	
900mm = (35 1/2")	
600mm = (23 5/8")	
300mm = (11 7/8")	

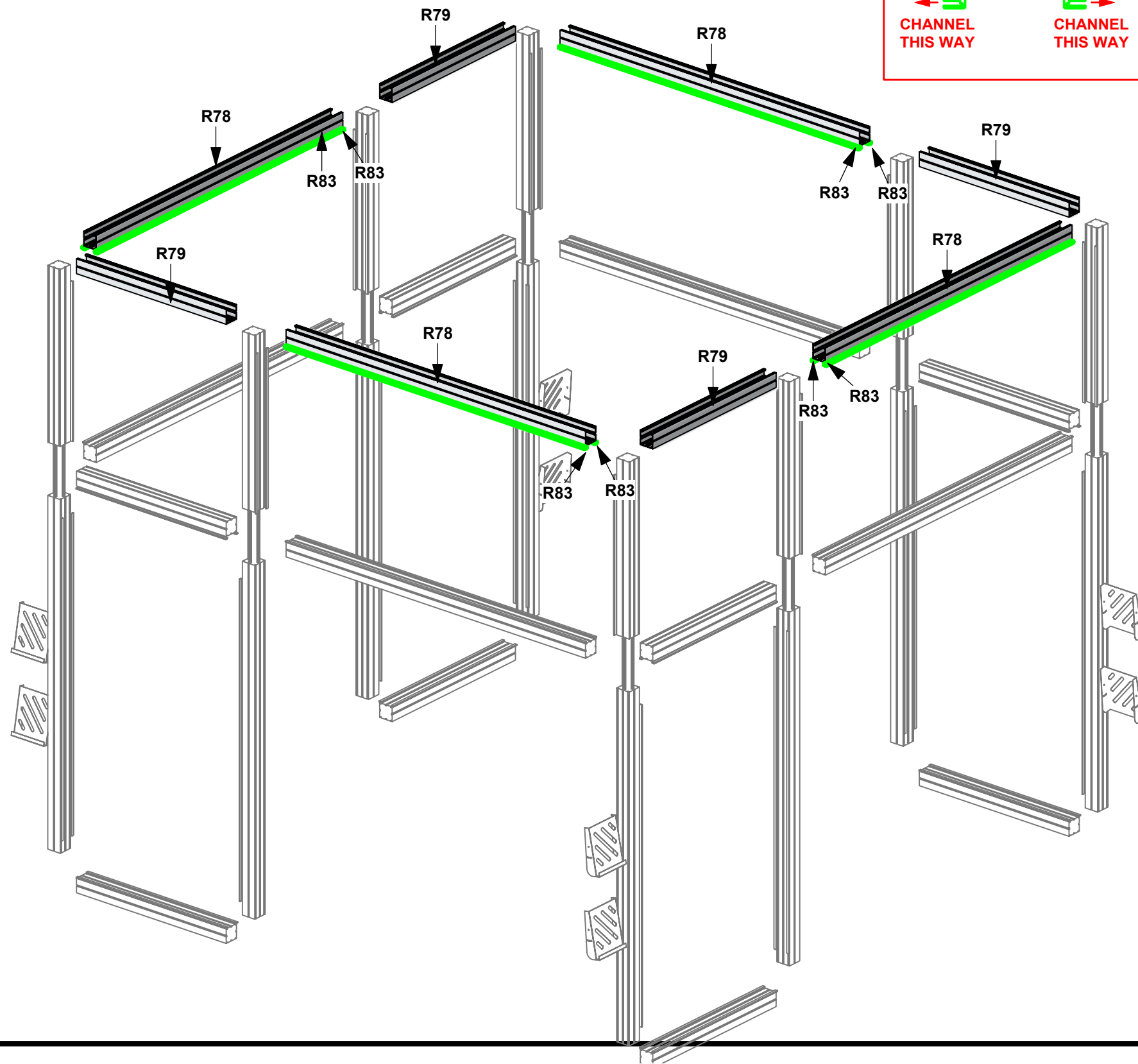
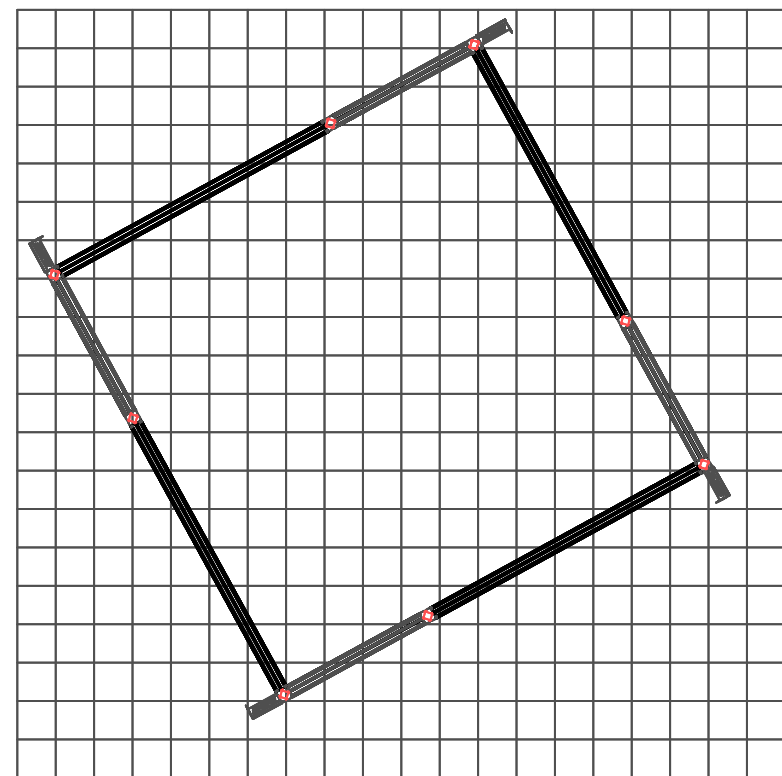
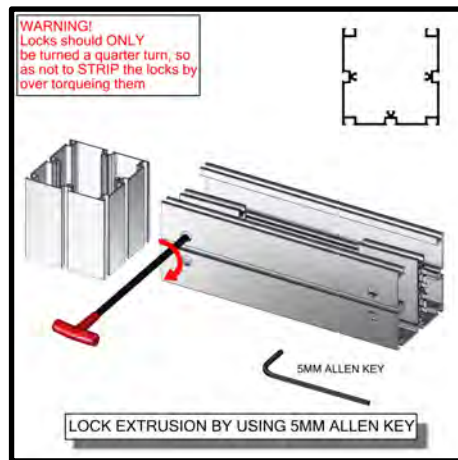
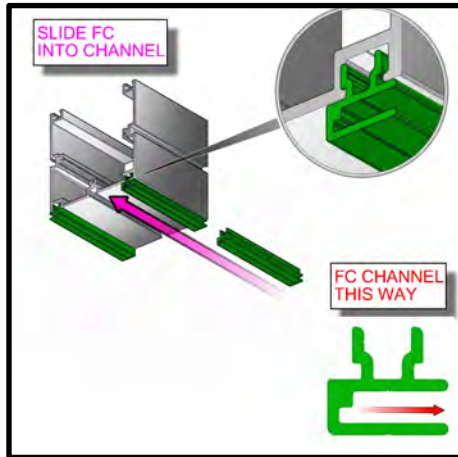
--- Wire running under carpet



HYBRID PRO RENTAL KIT

Title: SET-UP INSTRUCTIONS

Code	#	Description
R79	4	1200MM (47.24") 100MM PM4U U-SHAPED EXTRUSION WITH LOCKS 2 ENDS
R78	4	32400MM (94.49") 100MM PM4U U-SHAPED EXTRUSION WITH LOCKS 2 ENDS
R83	8	2400MM (94.49") FABRIC CONNECTION EXTRUSION

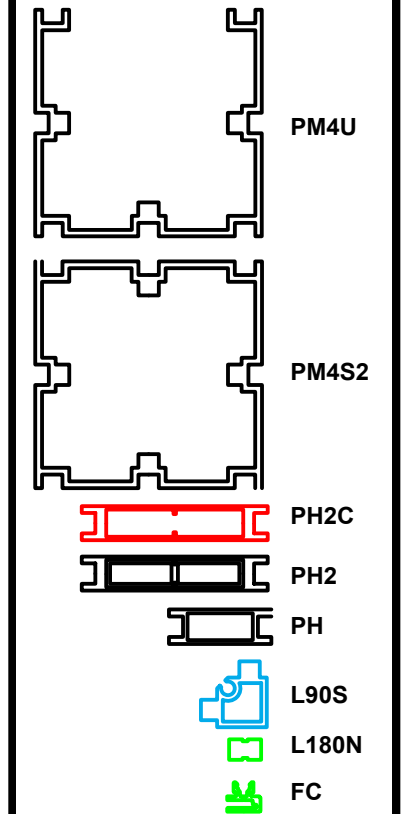


1. Redesign of this exhibit without approval by manufacturer may result in dangerous and unsafe structures. Manufacturer disclaims any responsibility for redesigned exhibits it does not approve in writing.

2. Parts and components such as panels and extrusions are manufactured to metric sizing. Where ever possible sizes have been noted in feet and inches as well as in metric. Below is the imperial to metric sizing table as reference. "Nominal" refers to approximate size.

2400mm = (94 1/2")	Phone Line / Fax
2100mm = (82 5/8")	Internet connection
1800mm = (70 7/8")	Outlet
1500mm = (59")	Main Drop (point of distrution)
1200mm = (47 1/4")	
900mm = (35 1/2")	
600mm = (23 5/8")	
300mm = (11 7/8")	

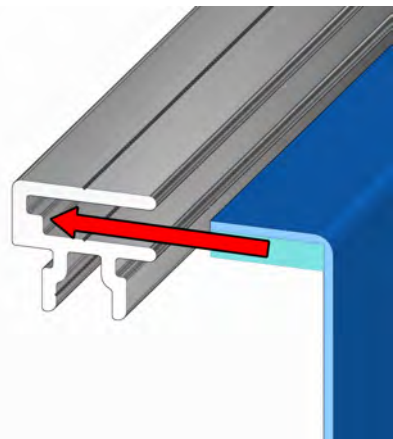
--- Wire running under carpet



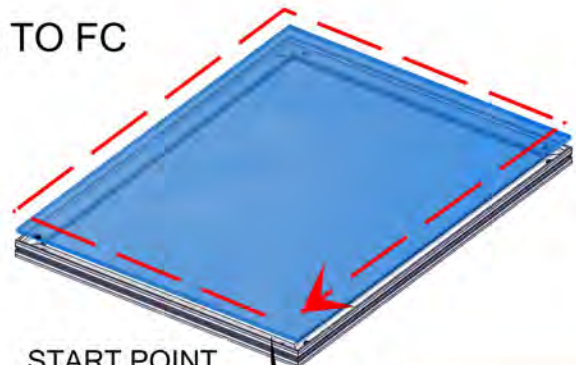
HYBRID PRO RENTAL KIT

Title: SET-UP INSTRUCTIONS

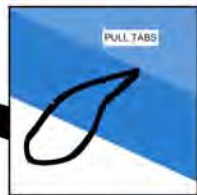
Code	#	Description
GRAPHIC B2	1	86 5/8" (H) X 47 1/4" (W) SINGLE SIDED DYESUB (
GRAPHIC D2	1	86 5/8" (H) X 47 1/4" (W) SINGLE SIDED DYESUB (
GRAPHIC C2	1	86 5/8" (H) X 47 1/4" (W) SINGLE SIDED DYESUB (
GRAPHIC A2	1	86 5/8" (H) X 47 1/4" (W) SINGLE SIDED DYESUB (
GRAPHIC F2	1	43 1/4" (H) X 94 1/2" (W) SINGLE SIDED DYESUB (
GRAPHIC H2	1	43 1/4" (H) X 94 1/2" (W) SINGLE SIDED DYESUB (
GRAPHIC G2	1	43 1/4" (H) X 94 1/2" (W) SINGLE SIDED DYESUB (
GRAPHIC E3	1	43 1/4" (H) X 94 1/2" (W) SINGLE SIDED DYESUB (



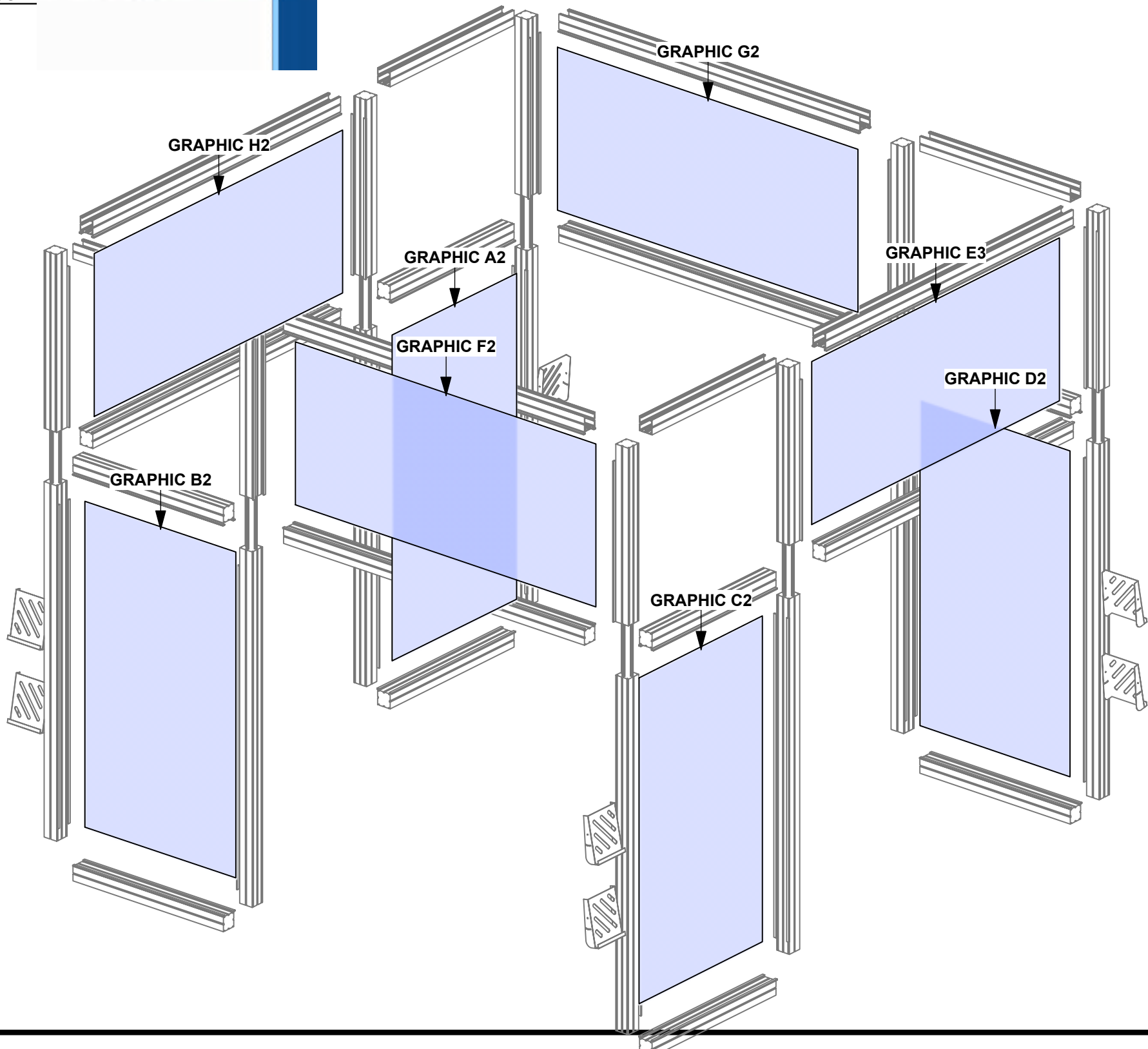
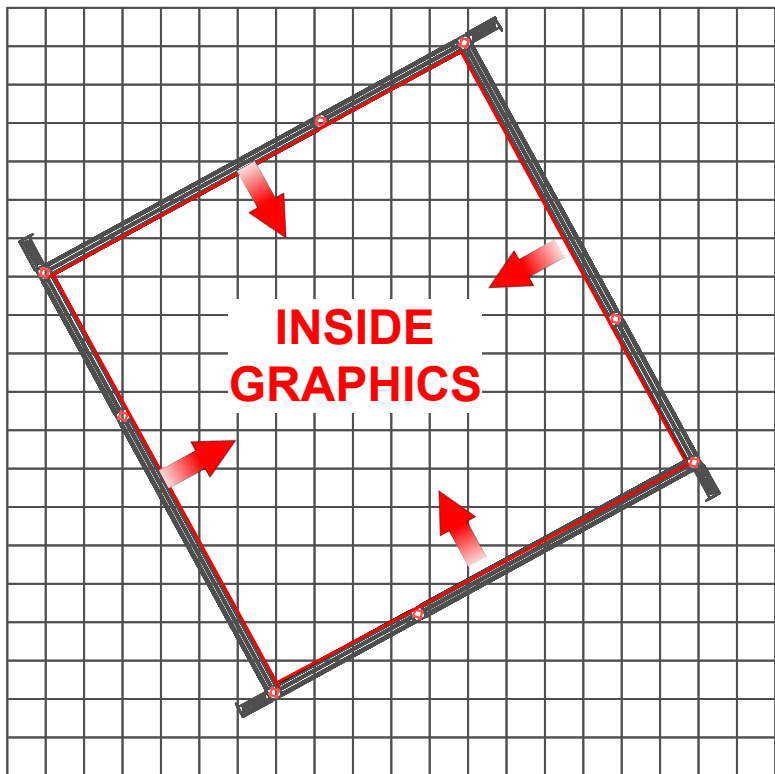
FCE-2 TO FC



START POINT ONE CORNER



Install graphic by pressing the FCE-2 into the channels of FC extrusion. To pull graphics out of the channels, use tabs on the front side

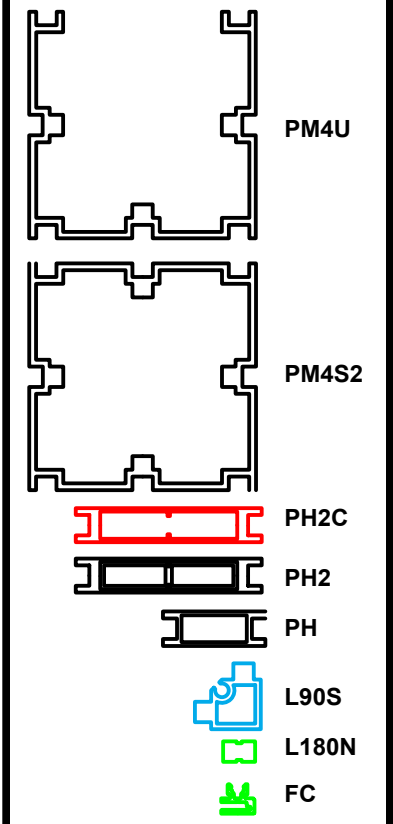


1. Redesign of this exhibit without approval by manufacturer may result in dangerous and unsafe structures. Manufacturer disclaims any responsibility for redesigned exhibits it does not approve in writing.

2. Parts and components such as panels and extrusions are manufactured to metric sizing. Where ever possible sizes have been noted in feet and inches as well as in metric. Below is the imperial to metric sizing table as reference. "Nominal" refers to approximate size.

2400mm = (94 1/2")	Phone Line / Fax
2100mm = (82 5/8")	Internet connection
1800mm = (70 7/8")	Outlet
1500mm = (59")	Main Drop (point of distrution)
1200mm = (47 1/4")	
900mm = (35 1/2")	
600mm = (23 5/8")	
300mm = (11 7/8")	

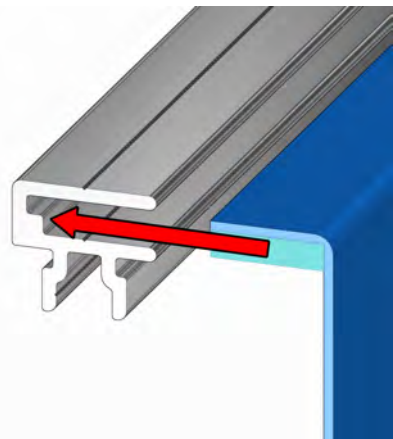
--- Wire running under carpet



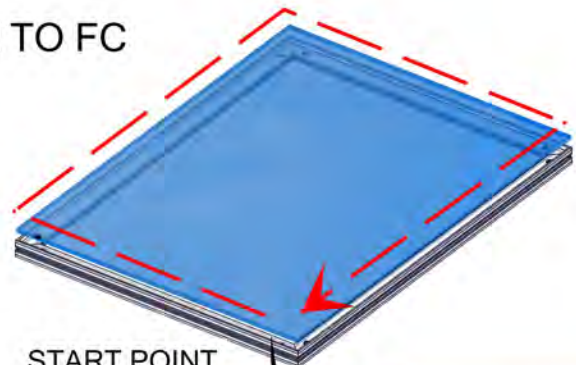
HYBRID PRO RENTAL KIT

Title: SET-UP INSTRUCTIONS

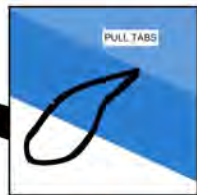
Code	#	Description
GRAPHIC F1	1	43 1/4" (H) X 94 1/2" (W) SINGLE SIDED DYESUB C
GRAPHIC E3	1	43 1/4" (H) X 94 1/2" (W) SINGLE SIDED DYESUB C
GRAPHIC G1	1	43 1/4" (H) X 94 1/2" (W) SINGLE SIDED DYESUB C
GRAPHIC H1	1	43 1/4" (H) X 94 1/2" (W) SINGLE SIDED DYESUB C
GRAPHIC B1	1	86 5/8" (H) X 47 1/4" (W) SINGLE SIDED DYESUB C
GRAPHIC D1	1	86 5/8" (H) X 47 1/4" (W) SINGLE SIDED DYESUB C
GRAPHIC C1	1	86 5/8" (H) X 47 1/4" (W) SINGLE SIDED DYESUB C
GRAPHIC A1	1	86 5/8" (H) X 47 1/4" (W) SINGLE SIDED DYESUB C



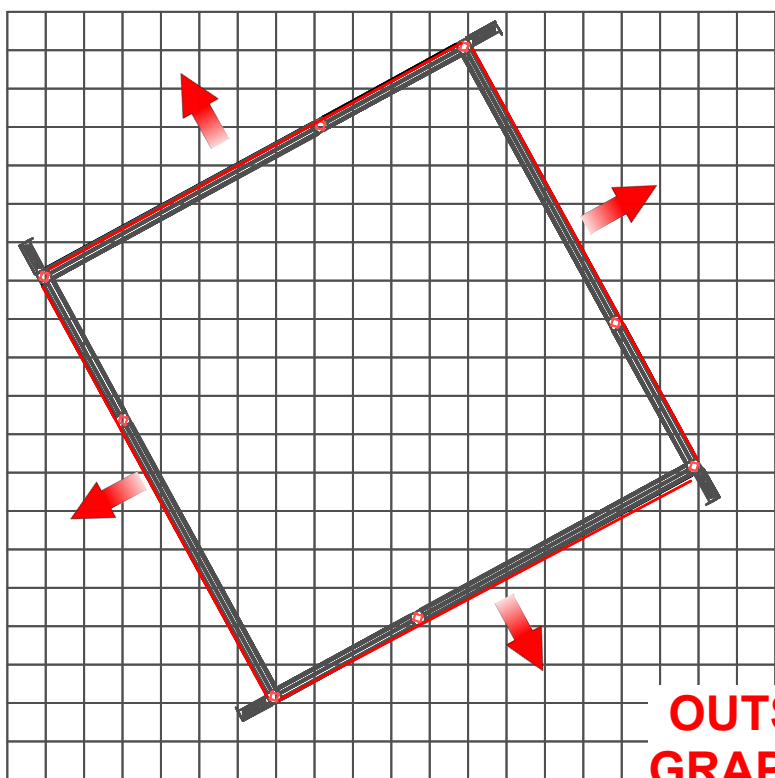
FCE-2 TO FC



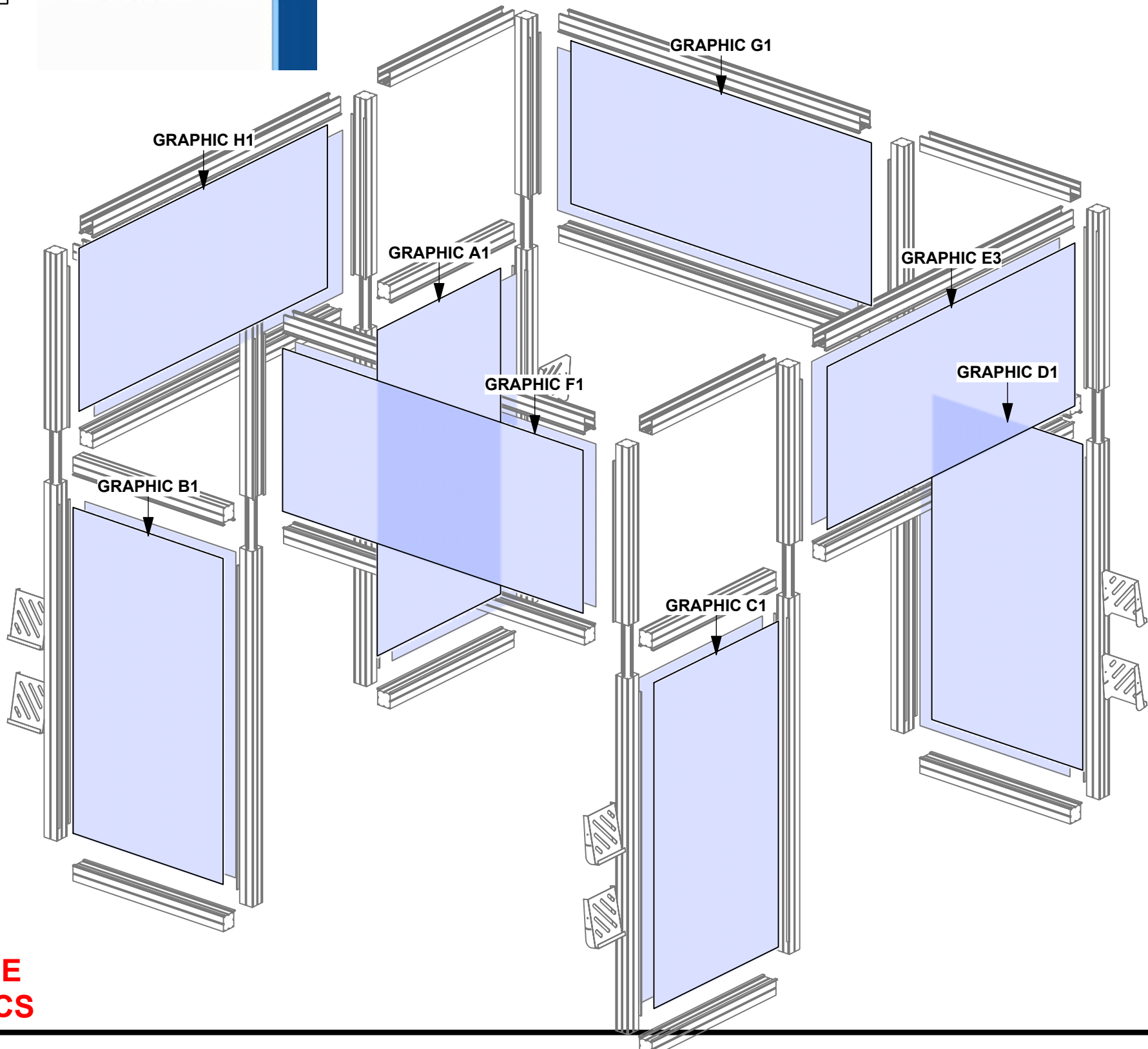
START POINT ONE CORNER



Install graphic by pressing the FCE-2 into the channels of FC extrusion. To pull graphics out of the channels, use tabs on the front side



OUTSIDE GRAPHICS

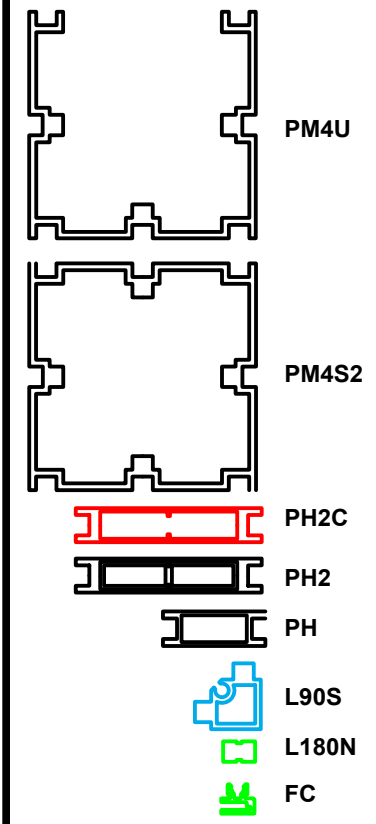


1. Redesign of this exhibit without approval by manufacturer may result in dangerous and unsafe structures. Manufacturer disclaims any responsibility for redesigned exhibits it does not approve in writing.

2. Parts and components such as panels and extrusions are manufactured to metric sizing. Where ever possible sizes have been noted in feet and inches as well as in metric. Below is the imperial to metric sizing table as reference. "Nominal" refers to approximate size.

2400mm = (94 1/2")	Phone Line / Fax
2100mm = (82 5/8")	Internet connection
1800mm = (70 7/8")	Outlet
1500mm = (59")	Main Drop (point of distrution)
1200mm = (47 1/4")	
900mm = (35 1/2")	
600mm = (23 5/8")	
300mm = (11 7/8")	

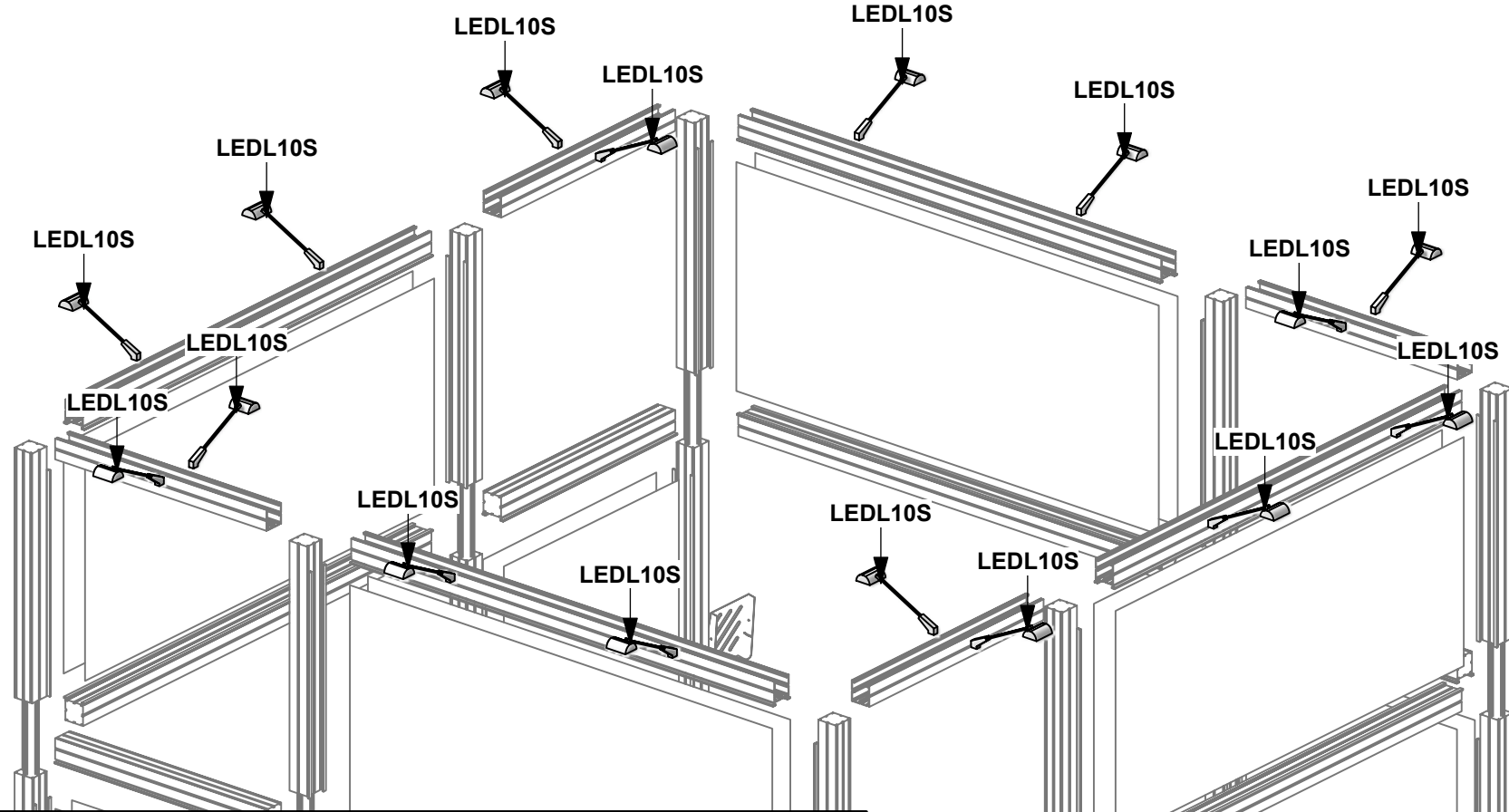
--- Wire running under carpet



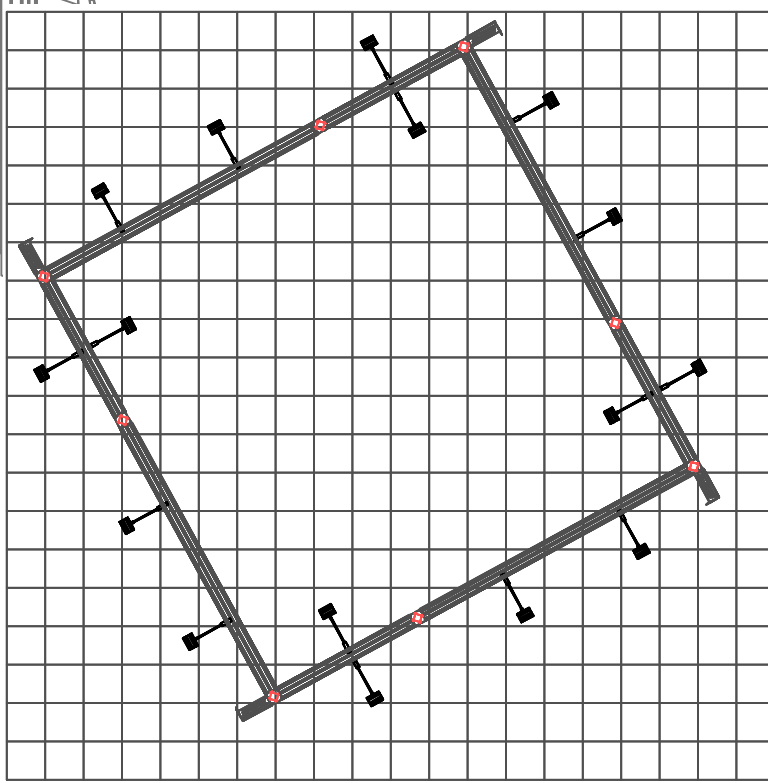
HYBRID PRO RENTAL KIT

Title: SET-UP INSTRUCTIONS

Code	#	Description
LEDL10S	16	LED SPOTLIGHT,3M,UL PLUG W/TRANSFORMER



1- Slide light clip onto the LIGHT.
2- Then slide the LIGHT into the channel at an angle and then gently lower down.

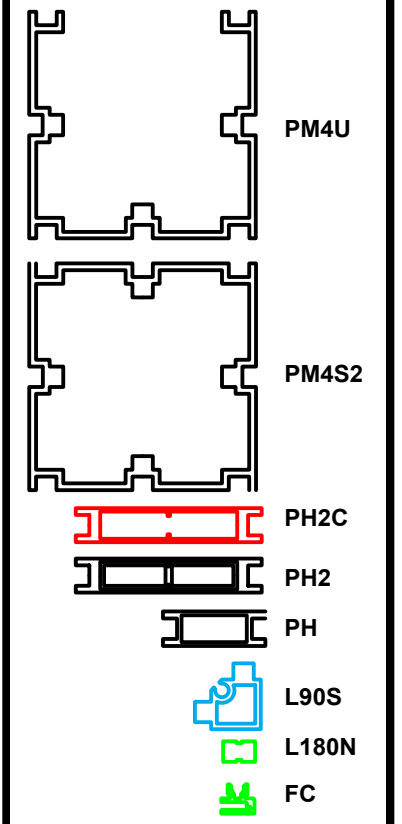


1. Redesign of this exhibit without approval by manufacturer may result in dangerous and unsafe structures. Manufacturer disclaims any responsibility for redesigned exhibits it does not approve in writing.

2. Parts and components such as panels and extrusions are manufactured to metric sizing. Where ever possible sizes have been noted in feet and inches as well as in metric. Below is the imperial to metric sizing table as reference. "Nominal" refers to approximate size.

2400mm = (94 1/2")	Phone Line / Fax
2100mm = (82 5/8")	Internet connection
1800mm = (70 7/8")	Outlet
1500mm = (59")	Main Drop (point of distrution)
1200mm = (47 1/4")	
900mm = (35 1/2")	
600mm = (23 5/8")	
300mm = (11 7/8")	

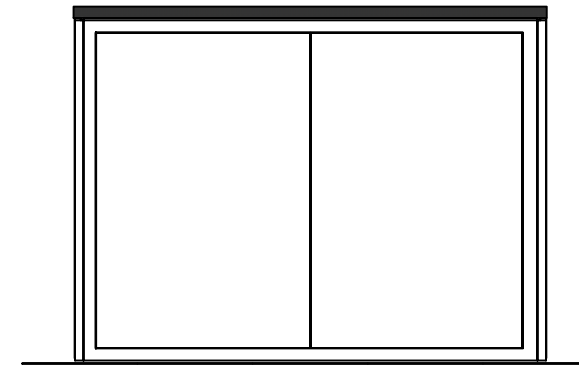
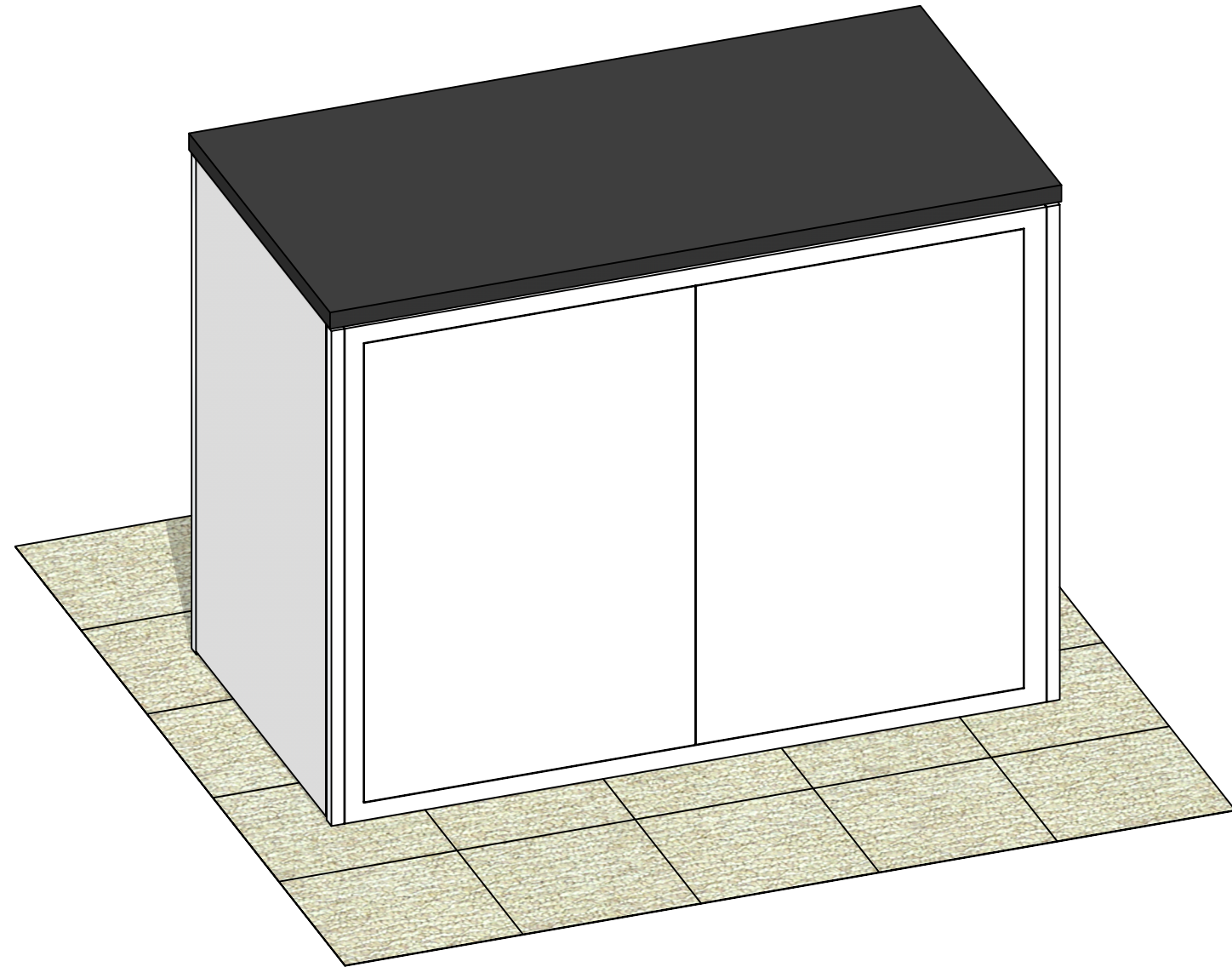
--- Wire running under carpet



HYBRID PRO RENTAL KIT

Title: SET-UP INSTRUCTIONS

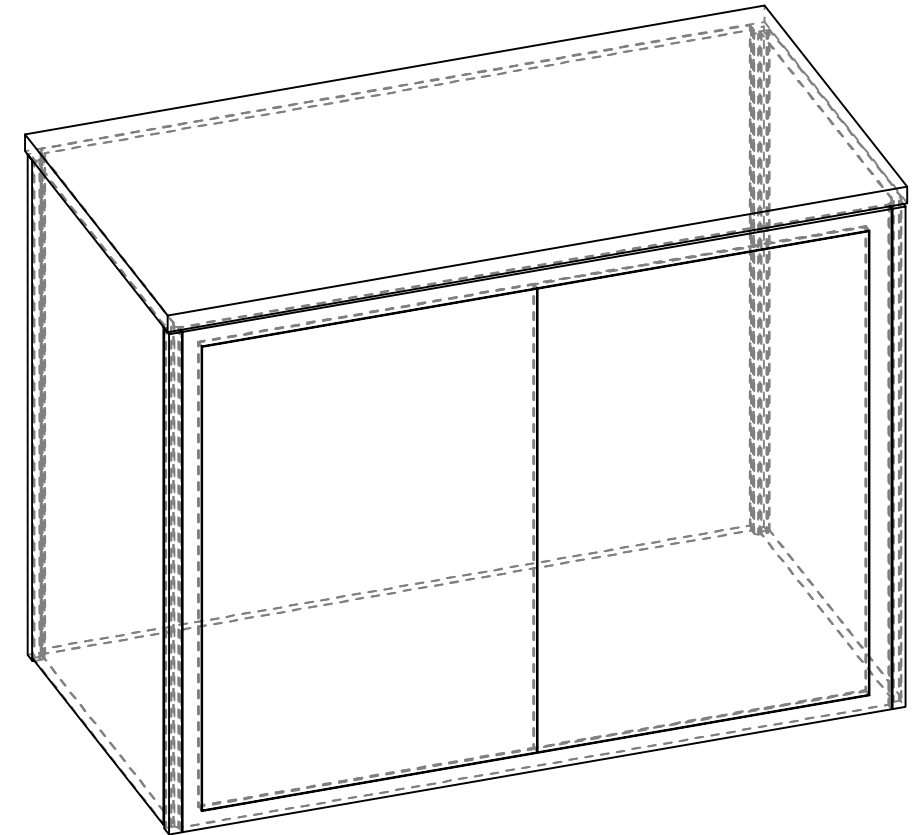
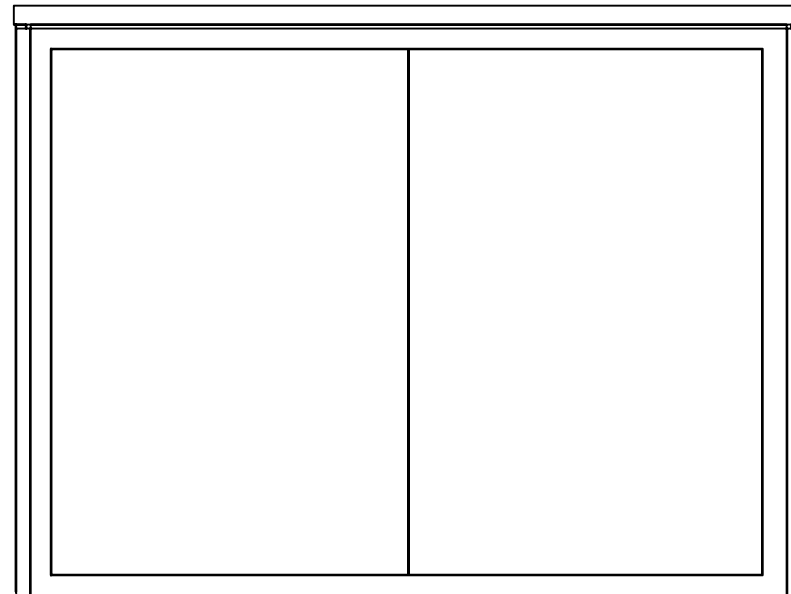
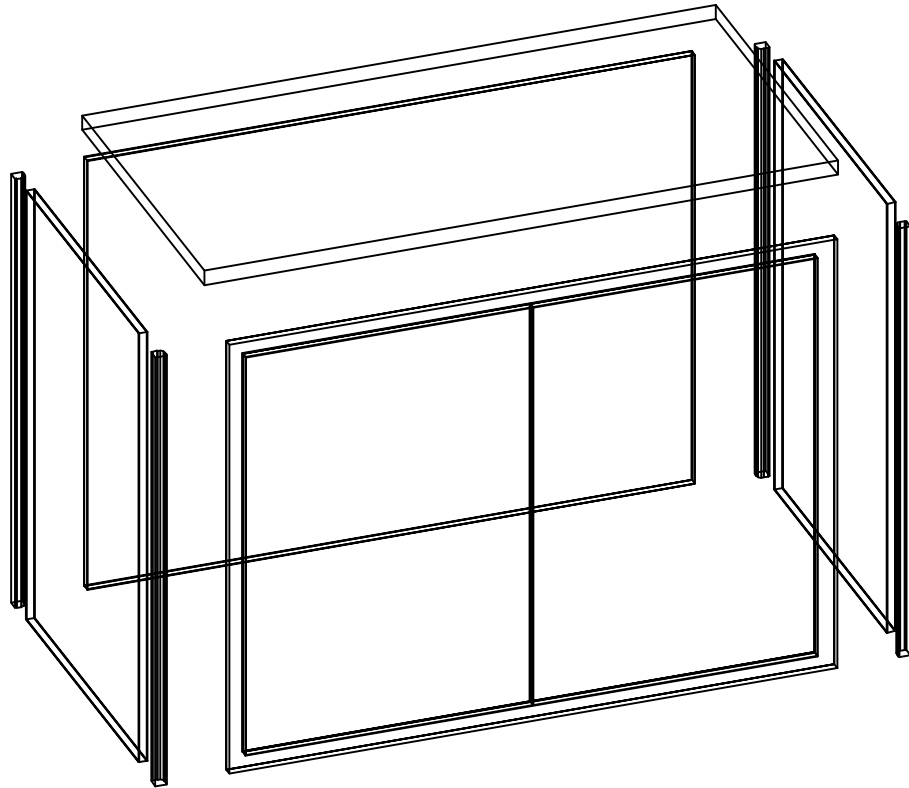
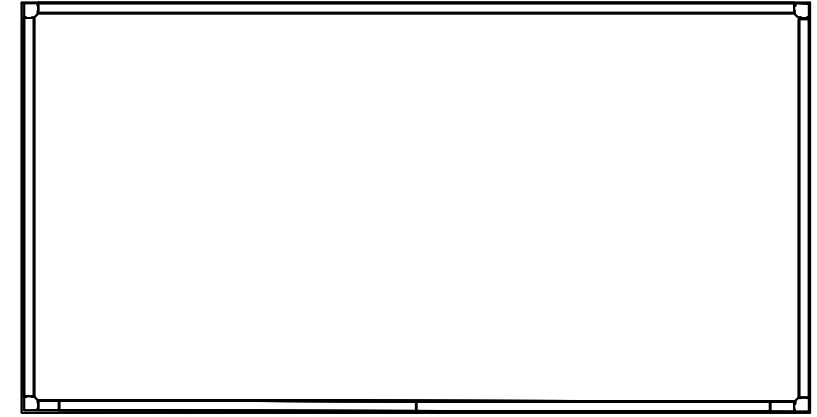
R-RCK-03



Code	#	Description
R84	1	3 X 4 (900MM X 1200MM) LAMINATE PANEL
R74	2	3 X 2 (900MM X 600MM) LAMINATE PANEL
CT-42L	1	4' X 2' LAMINATE COUNTER TOP
R72	1	900MM V x 1200MM W LAMINATE CABINET DOOR
L90S-900	4	900MM (35.43") 90 DEGREE SILVER LINK EXTRUSION90 DEGREE

BOM

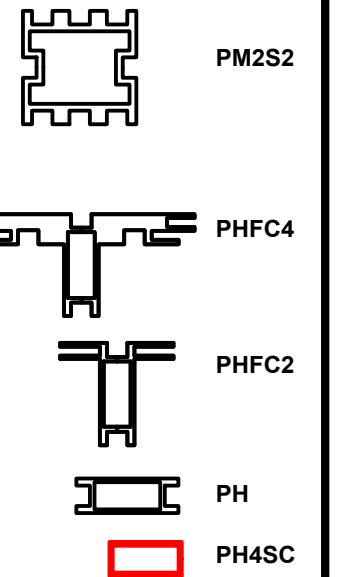
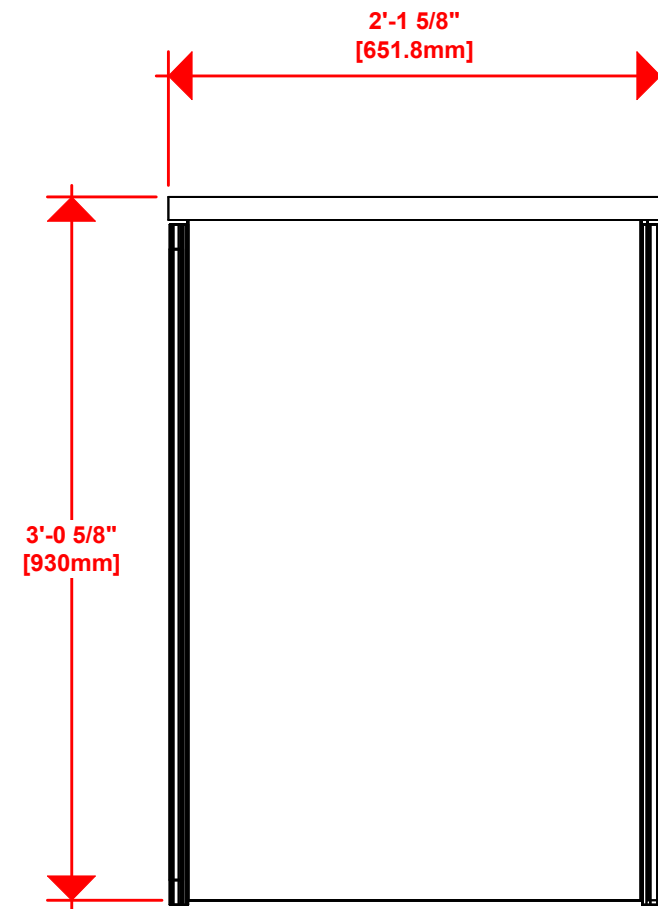
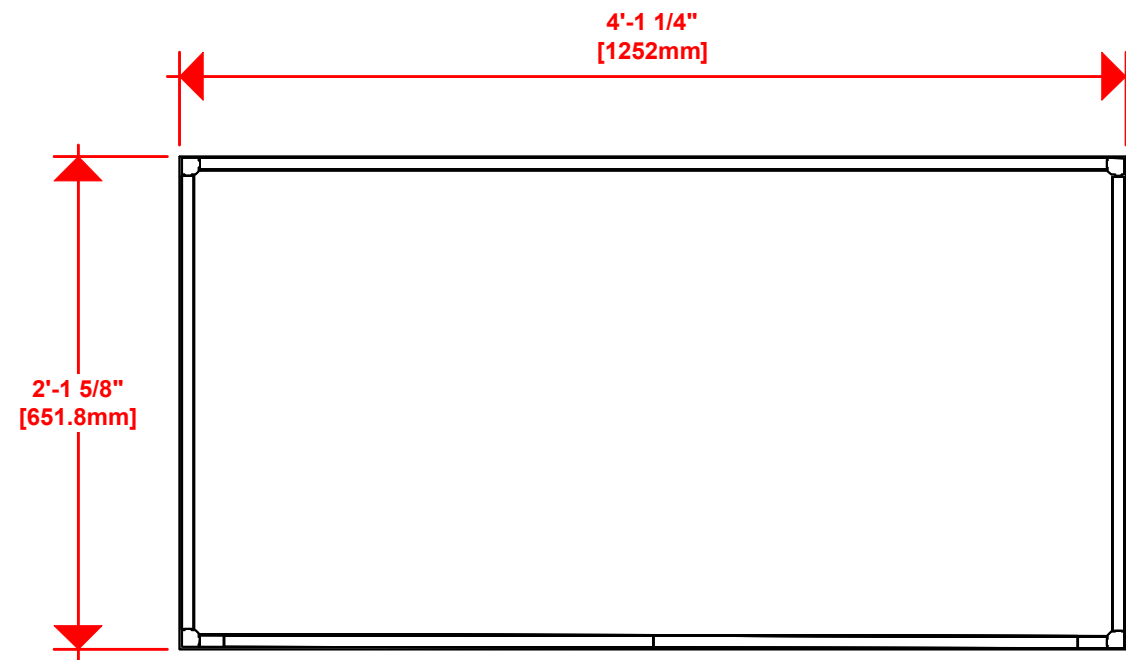
R-RCK-03



1. Redesign of this exhibit without approval by manufacturer may result in dangerous and unsafe structures. Manufacturer disclaims any responsibility for redesigned exhibits it does not approve in writing.

2. Parts and components such as panels and extrusions are manufactured to metric sizing. Where ever possible sizes have been noted in feet and inches as well as in metric. Below is the imperial to metric sizing table as reference. "Nominal" refers to approximate size.

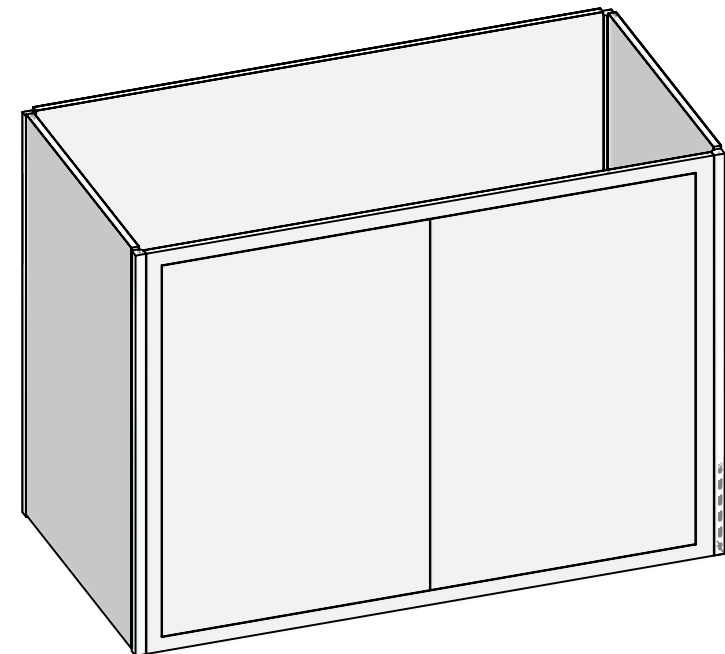
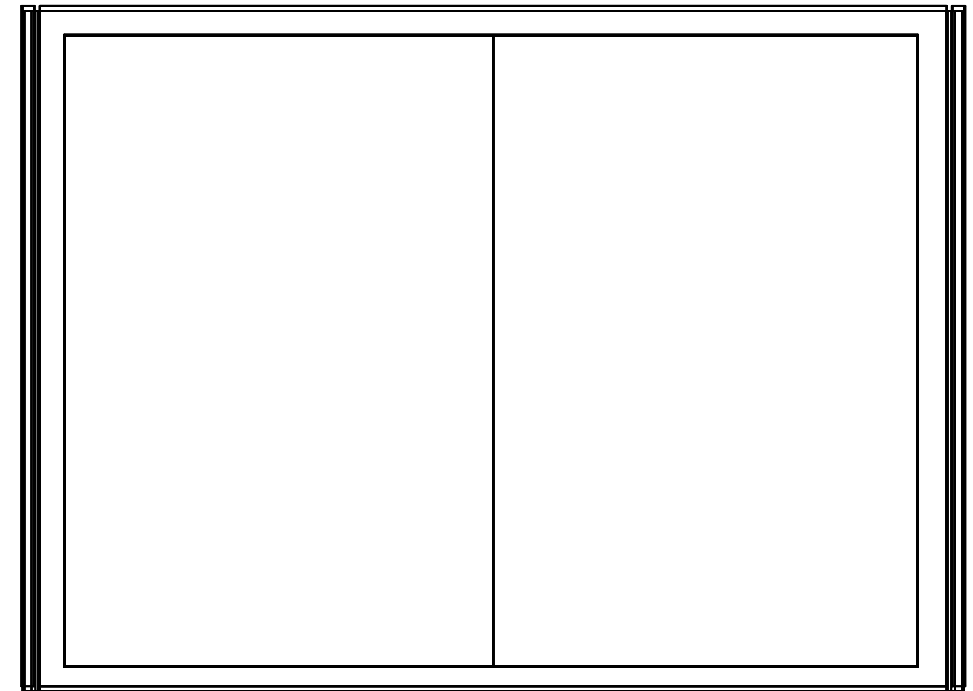
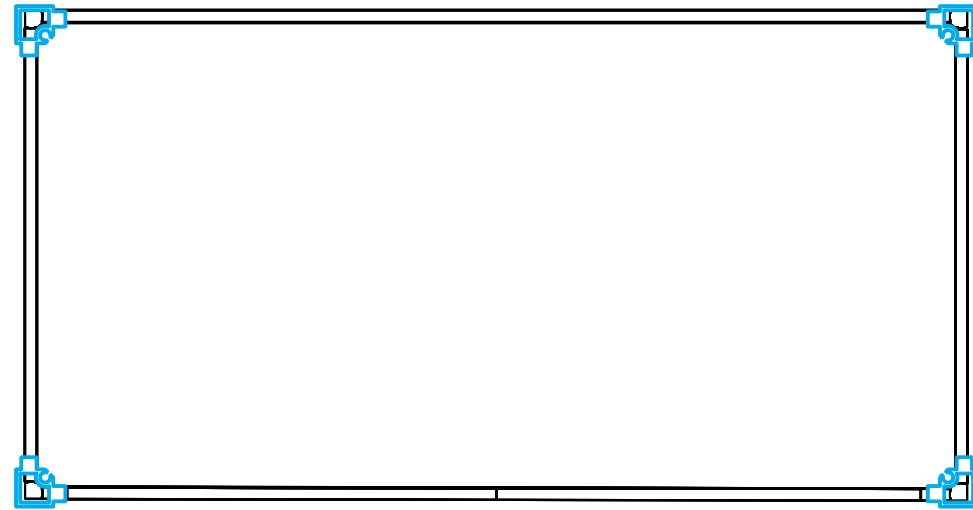
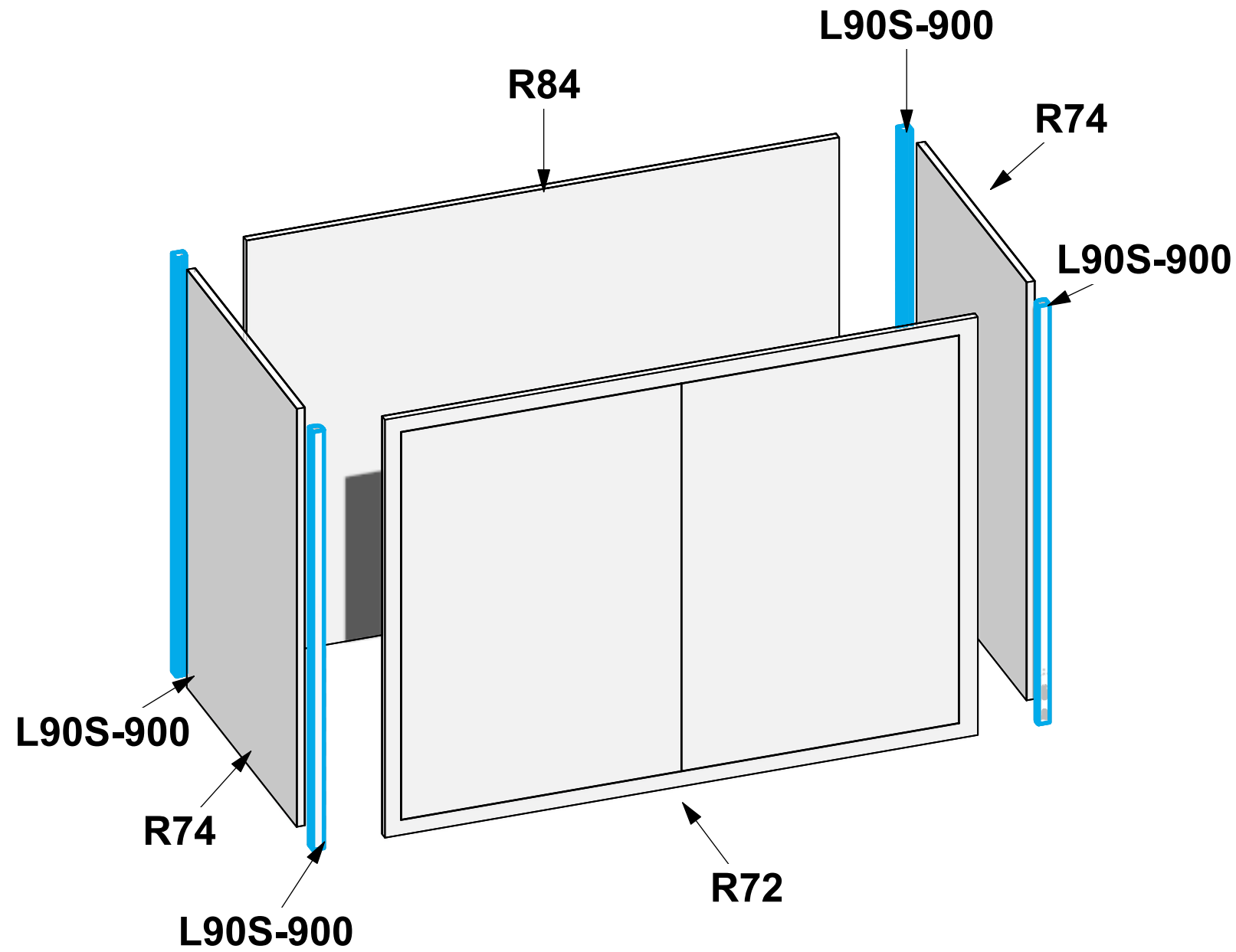
- | | |
|--------------------|-----------------------------------|
| 2400mm = (94 1/2") | ☒ Phone Line / Fax |
| 2100mm = (82 5/8") | ☒ Internet connection |
| 1800mm = (70 7/8") | ☒ Outlet |
| 1500mm = (59") | ☒ Main Drop (point of distrution) |
| 1200mm = (47 1/4") | |
| 900mm = (35 1/2") | |
| 600mm = (23 5/8") | |
| 300mm = (11 7/8") | |
- Wire running under carpet



HYBRID PRO RENTAL KIT

Title: SET-UP INSTRUCTIONS

Code	#	Description
R84	1	3 X 4 (900MM X 1200MM) LAMINATE PANEL
R74	2	3 X 2 (900MM X 600MM) LAMINATE PANEL
R72	1	900MM V x 1200MM W LAMINATE CABINET DOOR
L90S-900	4	900MM (35.43") 90 DEGREE SILVER LINK EXTRUSION90 DEGREE

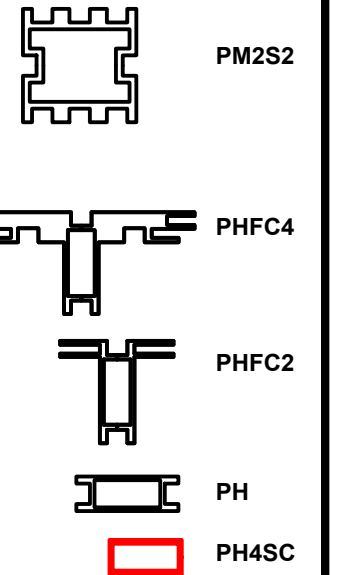


1. Redesign of this exhibit without approval by manufacturer may result in dangerous and unsafe structures. Manufacturer disclaims any responsibility for redesigned exhibits it does not approve in writing.

2. Parts and components such as panels and extrusions are manufactured to metric sizing. Where ever possible sizes have been noted in feet and inches as well as in metric. Below is the imperial to metric sizing table as reference. "Nominal" refers to approximate size.

2400mm = (94 1/2")	Phone Line / Fax
2100mm = (82 5/8")	Internet connection
1800mm = (70 7/8")	Outlet
1500mm = (59")	Main Drop (point of distrution)
1200mm = (47 1/4")	
900mm = (35 1/2")	
600mm = (23 5/8")	
300mm = (11 7/8")	

--- Wire running under carpet



HYBRID PRO RENTAL KIT

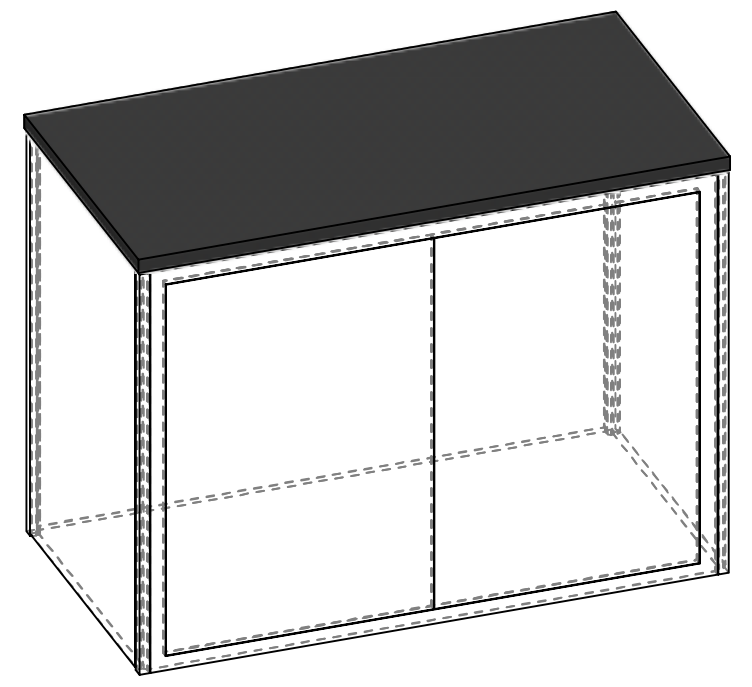
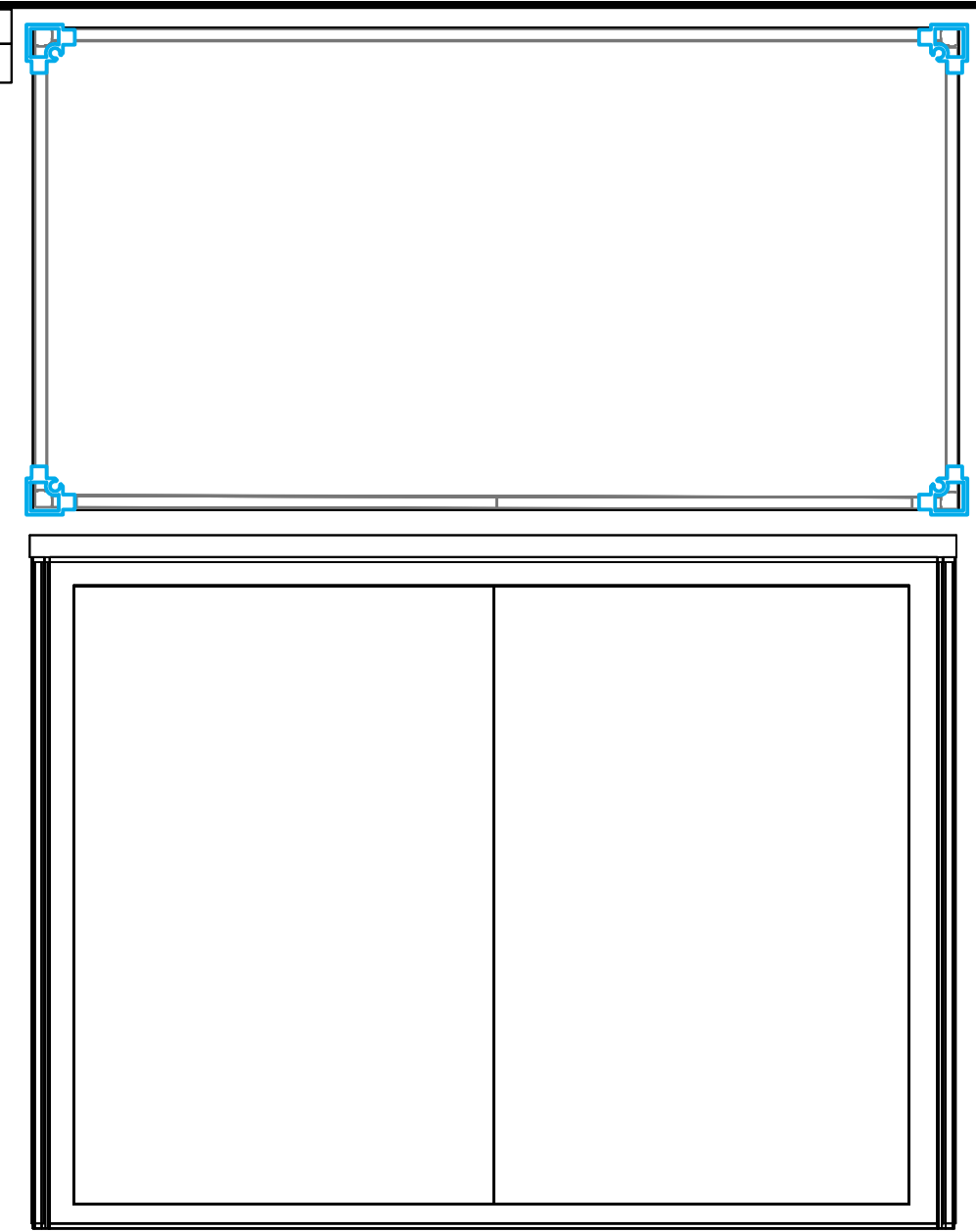
Title: SET-UP INSTRUCTIONS

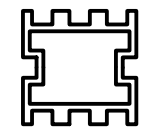
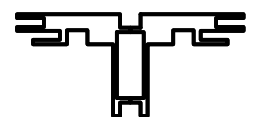
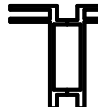


Code	#	Description
CT-42L	1	4' X 2' LAMINATE COUNTER TOP

1. Redesign of this exhibit without approval by manufacturer may result in dangerous and unsafe structures. Manufacturer disclaims any responsibility for redesigned exhibits it does not approve in writing.

2. Parts and components such as panels and extrusions are manufactured to metric sizing. Where ever possible sizes have been noted in feet and inches as well as in metric. Below is the imperial to metric sizing table as reference. "Nominal" refers to approximate size.

- | | |
|--------------------|---------------------------------|
| 2400mm = (94 1/2") | Phone Line / Fax |
| 2100mm = (82 5/8") | Internet connection |
| 1800mm = (70 7/8") | Outlet |
| 1500mm = (59") | Main Drop (point of distrution) |
| 1200mm = (47 1/4") | |
| 900mm = (35 1/2") | |
| 600mm = (23 5/8") | |
| 300mm = (11 7/8") | |
- Wire running under carpet



-  PM2S2
-  PHFC4
-  PHFC2
-  PH
-  PH4SC

HYBRID PRO RENTAL KIT

Title: SET-UP INSTRUCTIONS

PACKING INSTRUCTIONS



7 (8) BROCHURE HOLDERS, (1) STEAMER, HARDWARE BOX

6 (1) CT-42L, (1) R72, (4) L90S-900

5 (1) R84





4 (2) R74

3 (16) LED L10 LIGHTS, (8) R13, (4) R79, (4) R15, (16) R83, (16) R68
(16) R82, (16) R80

2 (1) R77, (4) R78, (8) R76, (4) R15

1 (8) R75, (3) R77

CASE # 1

LEGEND		GREY FOAM FOLDED TO FILL EMPTY SPACES OR USED AS PROTECTION
		1/8" CARDBOARD SPACER (PUT IN BETWEEN EVERY PANEL)
		DIVIDER
		1/4" WHITE FOAM (USED AS PROTECTION DOOR PANELS W/ LOCKS)

