

Hopup Dimension Kit 01

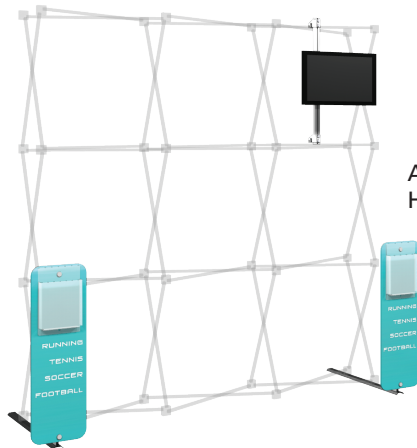
DIMENSION KIT 01: HOP-DIM01-3X3FG-S

ACCESSORY 01: HOP-DIM01

Hopup™ Backwall Dimensions add style, flare and funtion to any 7½' or 10' wide Hopup straight display. Easily accessorize your Hopup with monitor mounts, counters, tables, and more messaging real estate. Purchase as a complete kit or as an accessory for your existing straight Hopup. Dimensional elements can be placed in the middle, left or right sides of the display.



**DIMENSION KIT 01:
HOP-DIM01-3X3FG-S**



**ACCESSORY 01:
HOP-DIM01**

We are continually improving and modifying our product range and reserve the right to vary the specifications without prior notice. All dimensions and weights quoted are approximate and we accept no responsibility for variance. E&OE. See Graphic Templates for graphic bleed specifications.

features and benefits:

Dimension Kit 01 includes:

- 7½' wide full height straight backwall
- Two stand-off rigid graphic accents with literature holders
- Monitor* mount
- Two lumina 200 lights

- **Accessory 01 includes:** two stand-off rigid graphic accents with literature holders and monitor mounts
- Monitor* mount supports 23"; 30 lbs max
- Lifetime limited hardware warranty against manufacturer defects

dimensions:

Hardware:

Assembled unit:
99"w x 91"h x 30.75"d
2514.6mm(w) x 2311.4mm(h) x 781mm(d)

Stand-off rigid accessory (each):
12"w x 37"h x 4.5"d
305mm(w) x 940mm(h) x 114mm(d)

HOP-DIM01-3X3FG-S Weight: 46 lbs / 21 kgs

HOP-DIM01 Weight: 19 lbs / 8.62 kgs

Carry bag: 2 lbs / .9 kgs

Shipping:

Shipping dimensions - ships in two boxes:

Dimension Kit 01: 36"l x 13"w x 12"h
914mm(l) x 330mm(w) x 305mm(h)

Shipping dimensions - ships in one box:

Accessory 01: 40"l x 17.5"w x 6.625"h
1016mm(l) x 144.5mm(w) x 168.3mm(h)

Shipping weight:

Dimension Kit 01 (boxes): 48 lbs / 21.7 kgs
OCP2 upgrade: 77 lbs / 34.9 kgs

Accessory 01 (boxes): 21 lbs / 9.5 kgs
OCP2 upgrade: 51 lbs / 23 kgs

*both Hopup backwall and dimension kit will fit into 1 OCP2

Graphics:

Total visual area:
89.5"w x 89.5"h
2273mm(w) x 2273mm(h)

Stand-off rigid graphics (each):
11.811"w x 35.43"h
300mm(w) x 900mm(h)

Please be sure to include a 2" bleed around perimeter

Refer to related graphic template for more information.

Visit exhibitors-handbook.com/graphic-templates

additional information:

Monitor* mount supports 23" monitor, max weight = 30 lbs

*Monitors not included

Accessory Kit HOP-DIM01 does not include backwall frame or lights

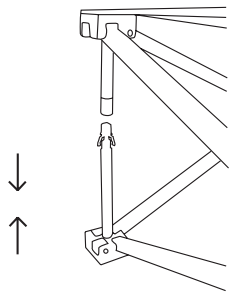
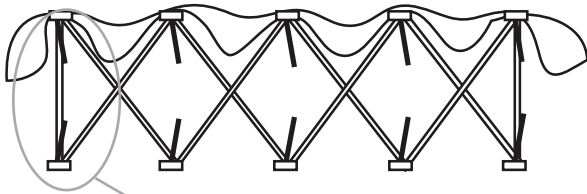
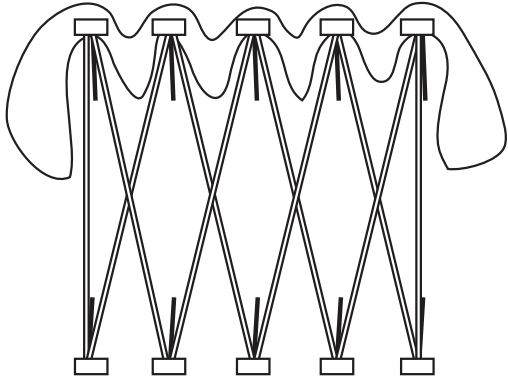
Distance between rigid graphic stand-off accessories is 75.5"

Distance between rigid graphic stand-off accessories and backwall is 7"

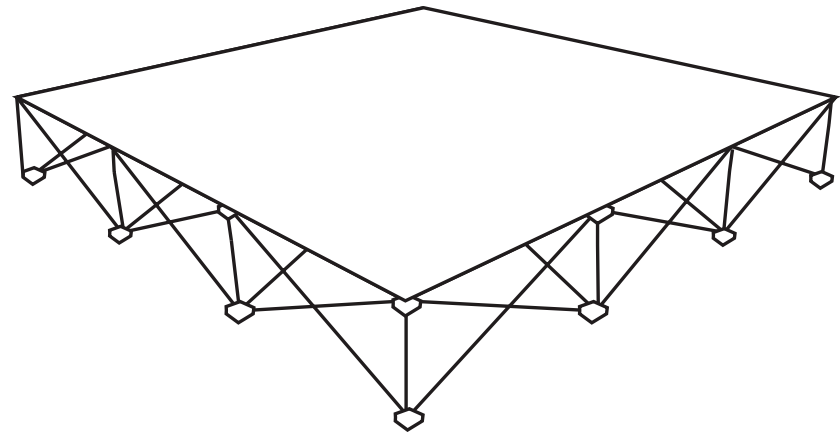
Single rigid graphic stand-offs:
HOP-DIM-RIGID STAND OFF

STEP 1: ASSEMBLE FRAME

- Remove unit from rolling bag.
- Stretch frame to size, making sure webbing is not wrapped around purple locking arms.
- Pull frame outward and align purple locking arms.
- Snap all purple locking arms into place.
- Graphic comes pre-attached to Hopup frame. If unit has endcaps, attach endcaps to frame with Velcro.

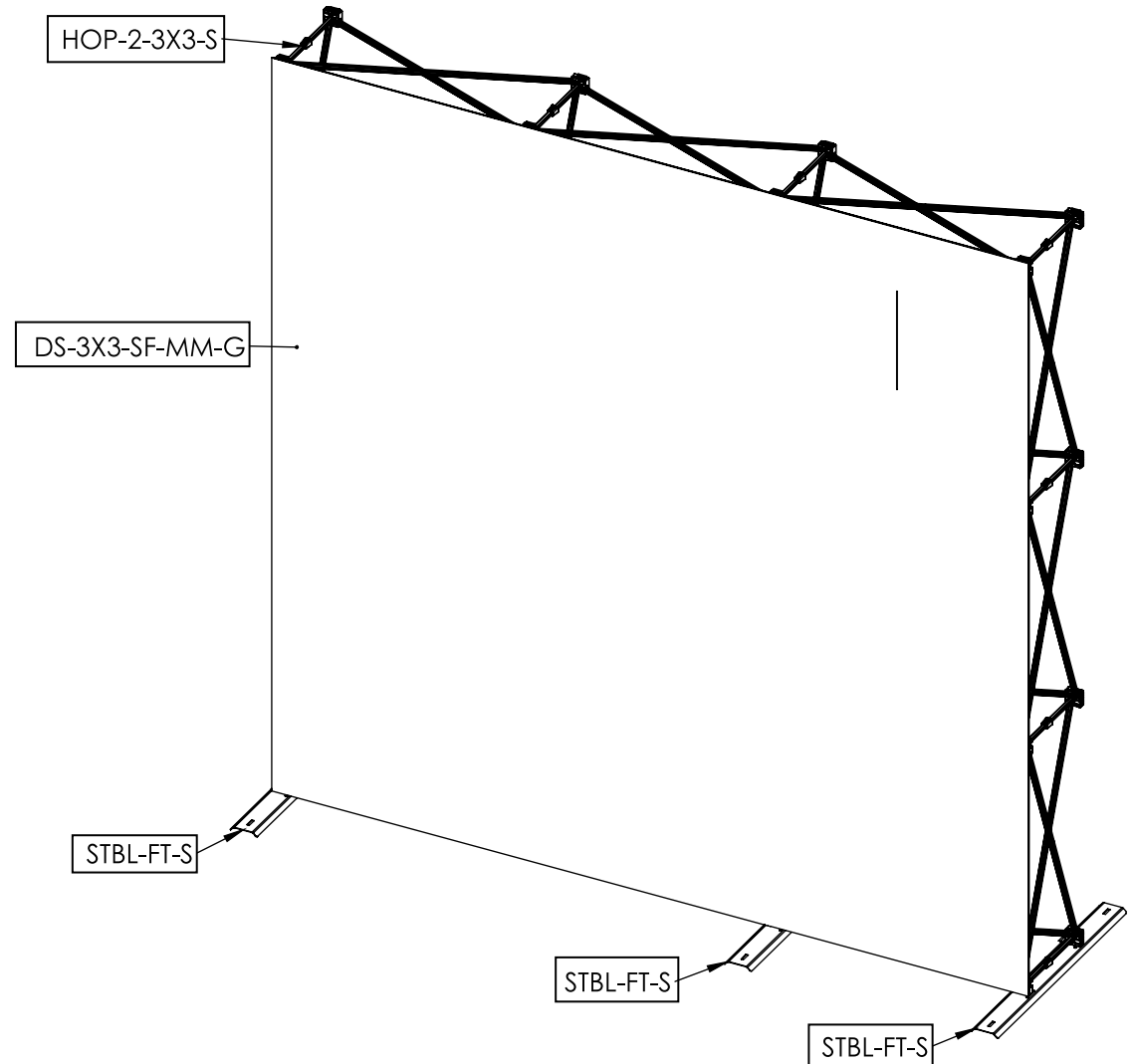
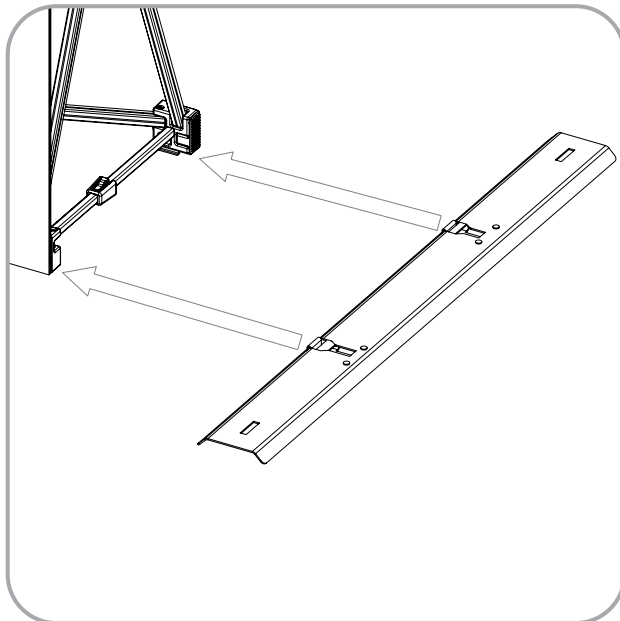
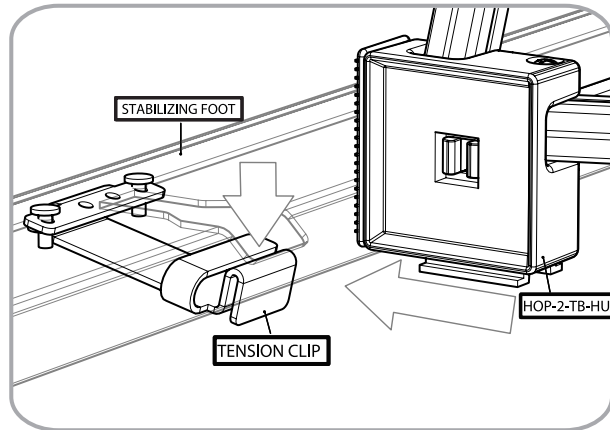


Snap all purple locking arms into place.



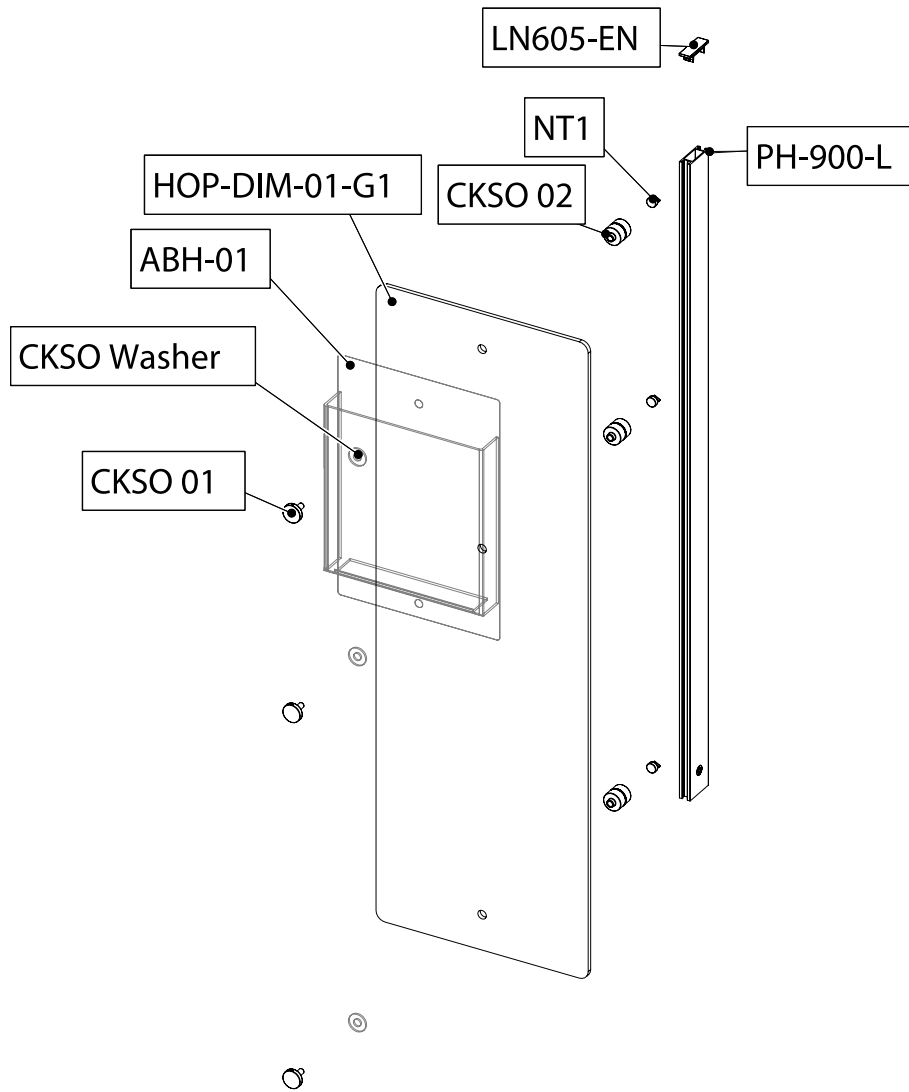
STEP 2: ATTACH STABILIZER FEET

- Flip Hopup on side to access bottom hubs.
- Start with the largest end of the opening and slide stabilizer foot over both hubs. Feet will fit snugly. Push down on the tension clip to insert the hub into the stabilizing foot.
- Stabilizing feet will securely snap lock onto hubs. To release foot press tab and slide.
- Attach the large stabilizing feet on bottom. Then, attach the three smaller stabilizing feet (labelled call outs in the image at the right).



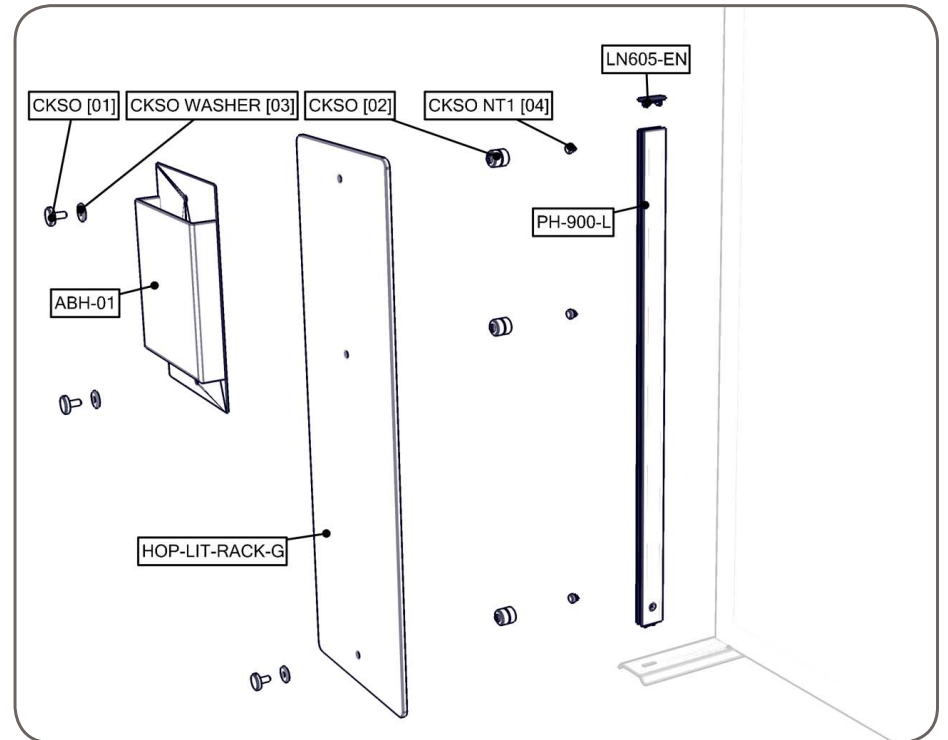
STEP 3: ATTACH GRAPHIC ACCESSORIES

- Attach Literature holder to rigid graphic with CKSO screw and washer.
- Next, attach graphic with literature holder to PH-900-L extrusion with CKSO 02 and NT1 screw set.



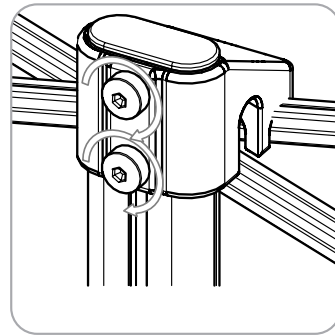
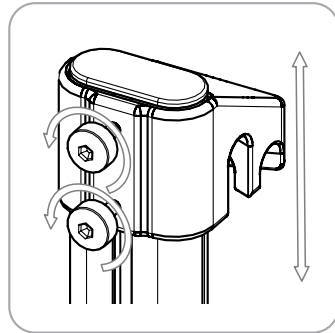
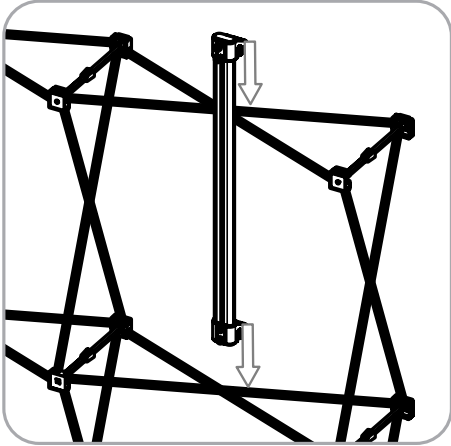
STEP 4: ATTACH ASSMSEMBLY TO FEET

- Attach rigid stand-off graphic assembly to stabilizing feet with PH-900-L.
- With Allen Key tool, turn only one quarter turn to lock extrusion into place.
- Place cap LN605-EN on top of extrusion PH-900-L.
- Repeat for second graphic accessory.



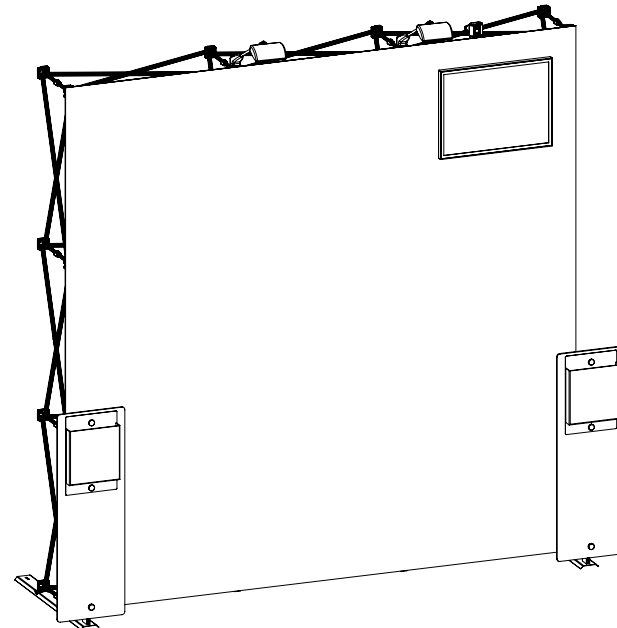
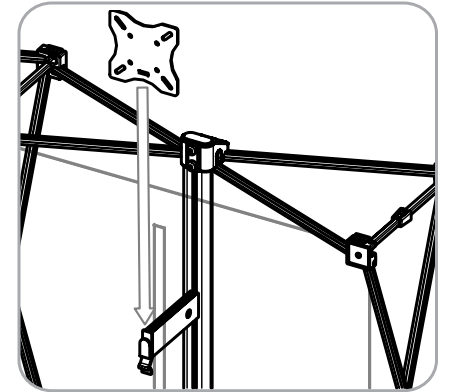
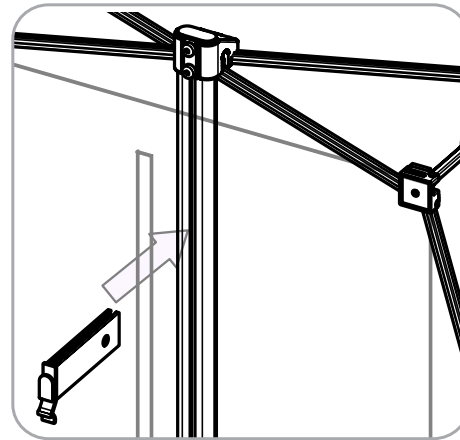
STEP 5: ATTACH MONITOR MOUNT SUPPORT

- Loosen screws on monitor mount to adjust hubs.
- Place hubs on the frame.
- Tighten screws to secure mount.



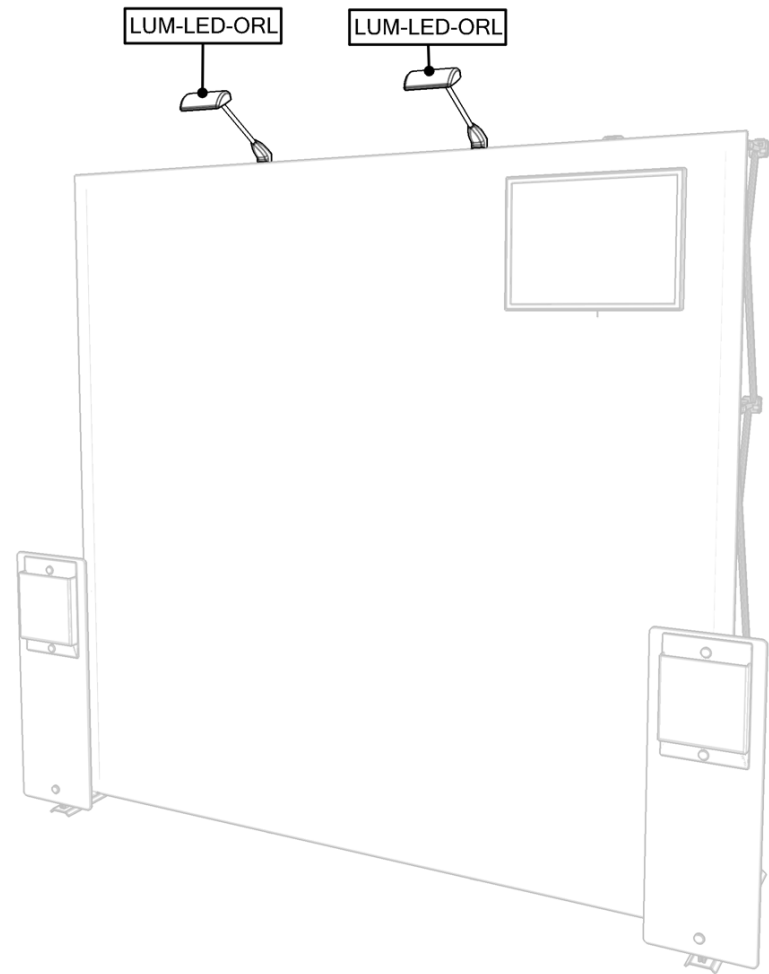
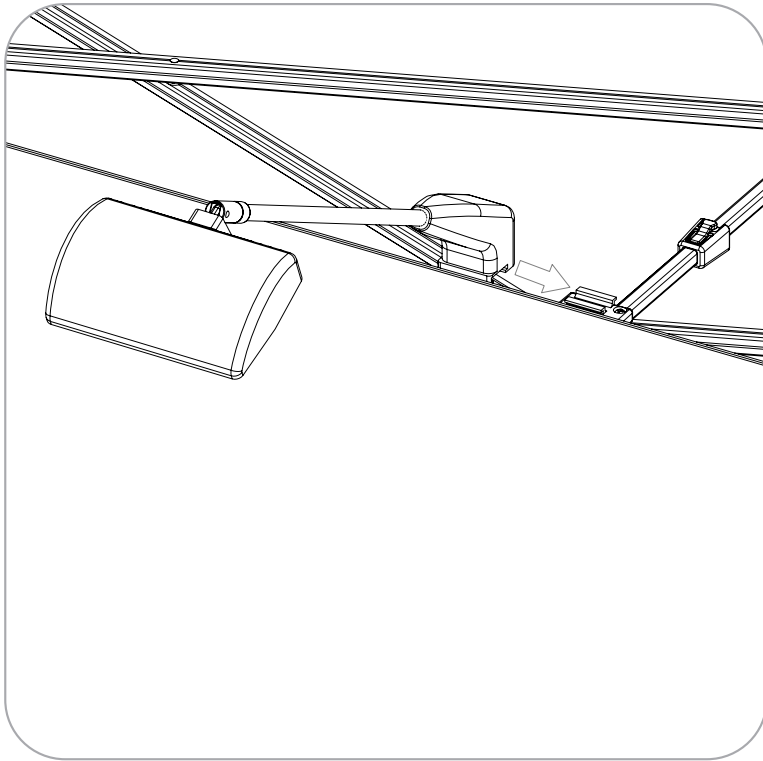
STEP 5 CONTINUED:

- Attach mounting arm through slit in the graphic. With Allen Key tool, turn only one quarter turn to lock extrusion into place.
- Attach monitor to bracket and snap onto arm.



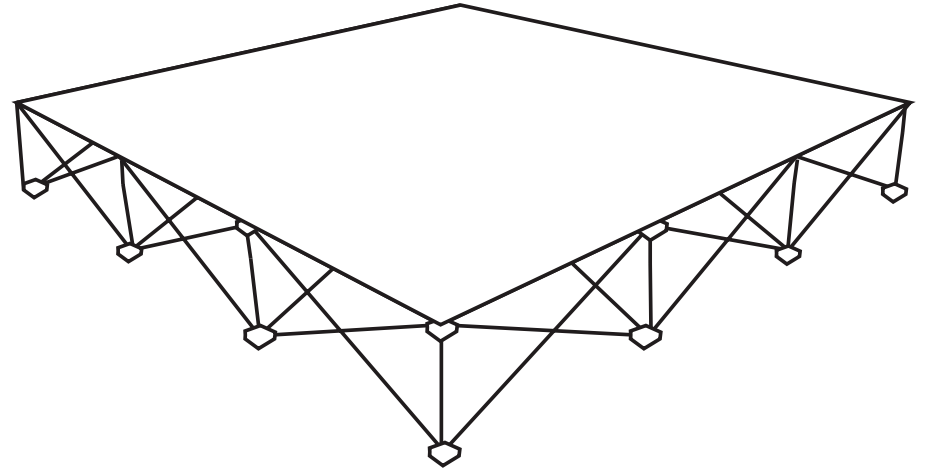
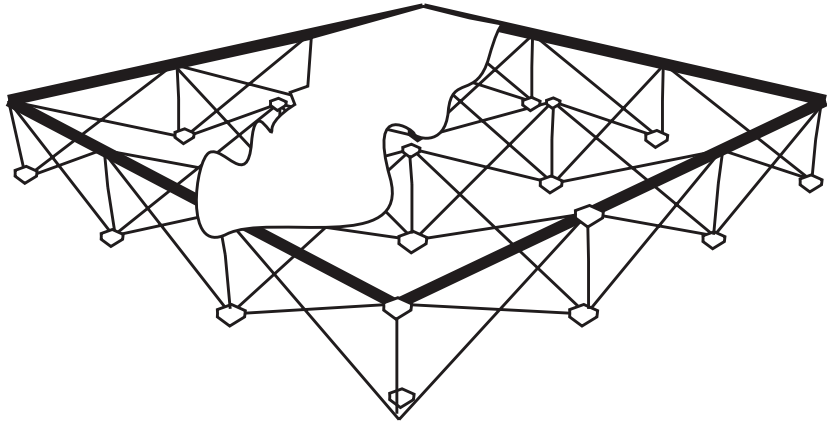
STEP 6: ATTACH LIGHTS

- Attach lights by sliding light onto the dovetail on the hub at the top of the frame.



HOPUP GRAPHIC ATTACHMENT:

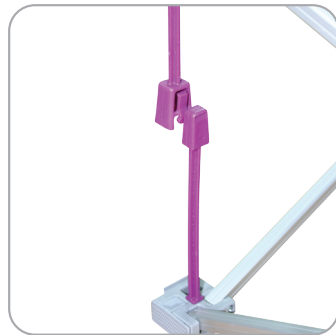
Graphic comes pre-attached to frame. Graphic attaches to the frame with Velcro. To re-attach start in one corner and move on to the next. Graphic application is then complete.



to ensure quality, please note:



If the webbing is wrapped around the purple locking arm, the arm can snap off when opening the unit.



When setting up, ensure that the arms are aligned. If not, the arms will snap when pressure is applied.



When packing unit in the bag, ensure that the strap is not partially wrapped around an arm. If it is, the arm will snap when pulled out of the bag.



When placing in a non-roller bag, ensure that arms are not outside of the bag.



Do not use the purple locking arm to lift unit. ALWAYS lift by the frame.