

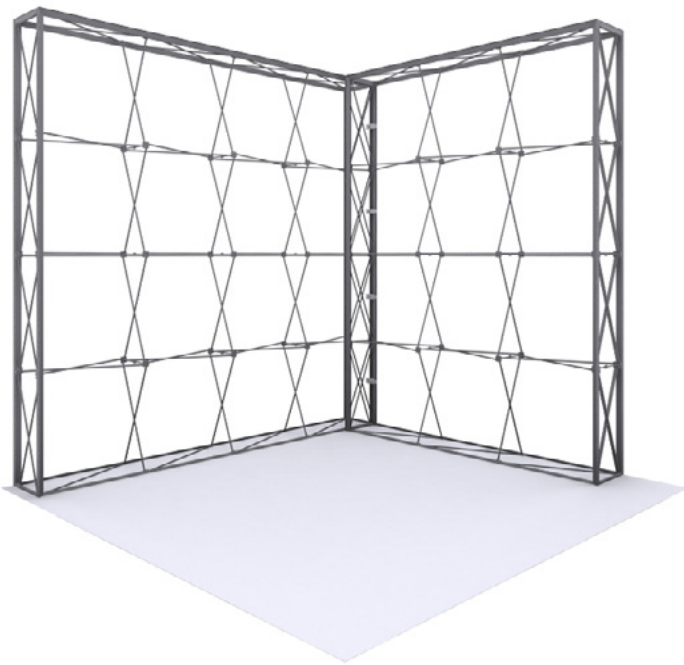
LUMIÈRE CONFIGURATION A

LUMIÈRE LIGHT WALL

PRODUCT CODE: LLW10ANLG



On frame On graphic



PRODUCT DESCRIPTION

Introducing the Lumiere Light Wall! A combination of innovative silicone-edge graphics and RPL fabric pop ups offers an easier and more cost effective SEG option. This SEG style display has the depth of the RPL so you can expose more of your message using endcap graphics. The Lumiere shrinks down in size - simply collapse the geometric frame and the SEG bungeed channel bars, and fold or roll the fabric graphics. Setup can be done by 1 person and in 5-10 minutes. SEG portability is easy and stylish.

DISPLAY DIMENSION	118"W x 118"H x 103"D
GRAPHIC DIMENSIONS	4x4: 117.5"W x 117.5"H 3x4: 88.75"W x 117.5"H Endcaps: 13.375"W x 117.5"H

GRAPHIC MATERIAL

Stretch Fabric

GRAPHIC FINISHING

SEG Finishing (Silicone Edge Graphic)

DISPLAY CONSTRUCTION

Aluminum Frame

SHIPPING WEIGHTS & DIMENSIONS

Shipping Weight (2 boxes)	1) 10' x 7.5': 44lbs (frame only) 52lbs (with graphics)
	2) 7.5' x 10': 32lbs (frame only) 40lbs (with graphics)
Shipping Dimensions (2 boxes)	1) 10' x 10': 34"L x 14"W x 13"H
	2) 7.5' x 10': 34"L x 14"W x 9"H

GRAPHIC TURN AROUND TIME

2 business days after proof approval

AVAILABLE ACCESSORIES

Lumiere LED Lights 150w (Black & Silver)	Lumiere Front Lit LED Lights (Black & Silver)
T135 LED Light	La Caja Case
Tahoe Case	

AVAILABILITY CA and PA



L Link Connector



Carry Bag



Channel Bars

LUMIÈRE CONFIGURATION A

LUMIÈRE LIGHT WALL
PRODUCT CODE: LLW10ANLG



On frame On graphic

PARTS LIST



Qty.1 - 10' x 10' Frame



Qty.1 - 10' x 7.5' Frame



Qty.12 - 4 Section Channel Bars



Qty.4 - 3 Section Channel Bars



Qty.8 - Endcap Channel Bar



Qty.4 - L Link Connector



Qty.2 - Channel Bar Bags



Qty.2 - Carry Bag

LUMIÈRE CONFIGURATION A

LUMIÈRE LIGHT WALL
PRODUCT CODE: LLW10ANLG



On frame On graphic

ACCESSORIES



La Caja Case



Tahoe Case



150w Black Light



150w Silver Light



Front Lit LED Black Light



Front Lit LED Silver Light



T135 LED Light

LUMIÈRE CONFIGURATION A

LUMIÈRE LIGHT WALL
PRODUCT CODE: LLW10ANLG



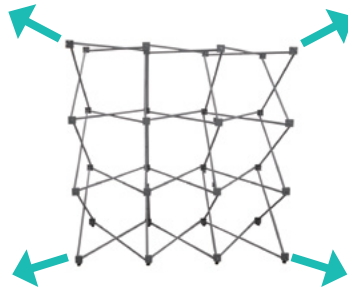
On frame On graphic

SET UP INSTRUCTIONS

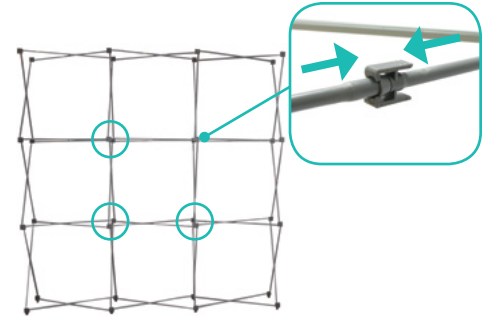
Set Up Pop Up Frame



a. Place frame with the adjustable feet facing down.

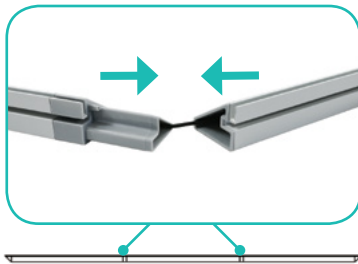


b. Expand the frame.

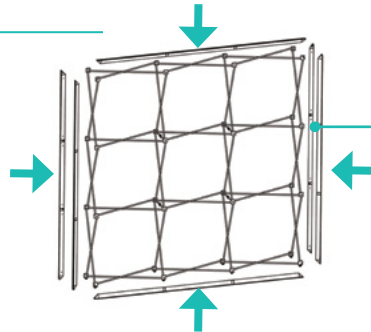


c. Close frame by pushing the outside of the frame until male and female ends connect.

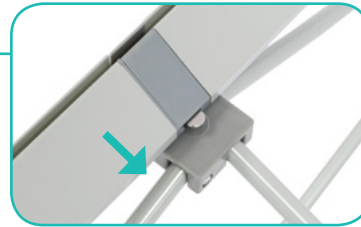
Insert Channel Bars



a. Expand each channel bar. Follow bungee to connect.



b. Attach channel bars to frame.



c. Slide channels bars onto frame, from top to bottom, then secure onto metal peg.



d. Attach the top and bottom end caps on each side of the frame.

Install Graphic



a. In each corner, insert the silicone edge beading into the groove.



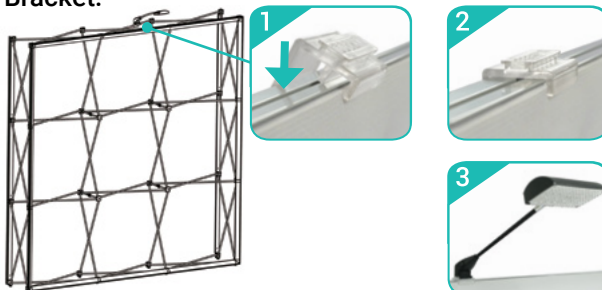
b. Then insert the remainder of the beading.



c. Repeat graphic installation on the end caps.

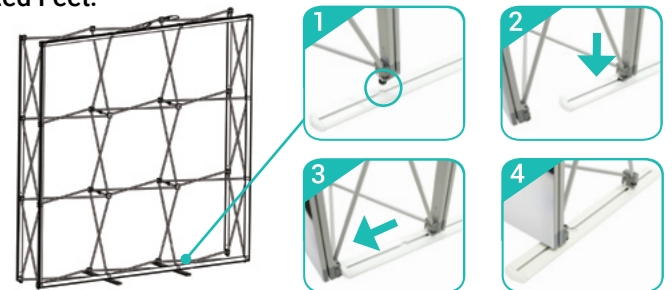
Optional Accessories

Light Bracket:



a. Snap the LED Light Bracket on top of the frame. Then slide the LED Light onto the bracket.

Stabilized Feet:



a. From the back, lift frame and insert adjustable feet onto stabilized feet. Then slide stabilized feet toward and insert onto the adjustable feet.

LUMIÈRE CONFIGURATION A

LUMIÈRE LIGHT WALL
PRODUCT CODE: LLW10ANLG



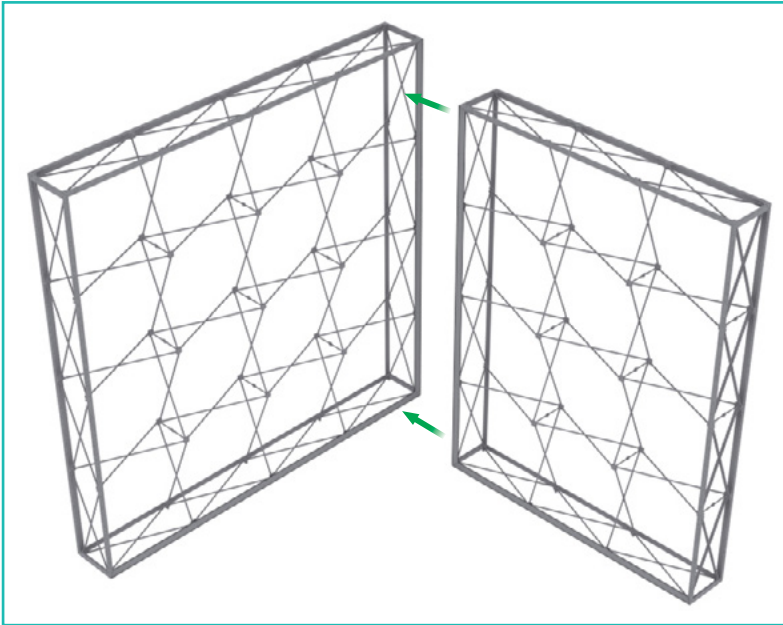
On frame On graphic

SET UP INSTRUCTIONS

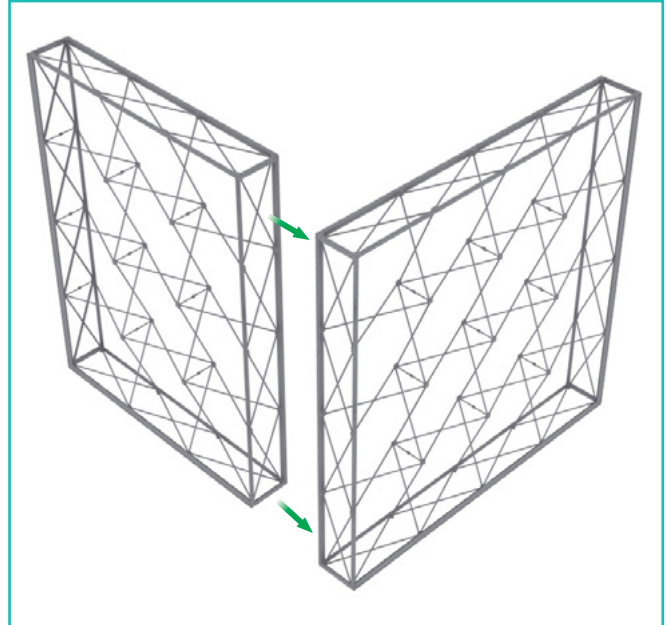
(CONFIGURATION A)

Connecting Return Wall

Front View



Back View



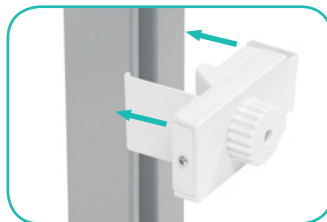
Adjoin the 7.5' x 10' frame perpendicular (90° angle) to the front side of the 10' x 10' frame.

Note: Rendering shown without graphics for clarity. Graphics must be installed before connecting frames

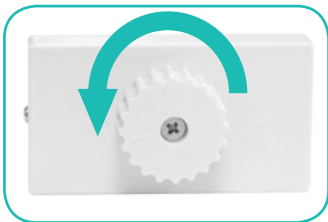
L Link Connection



Pull 10' x 10' graphic away to make space for L Connector.



Slide L Connector onto adjacent channel bars (from both frames).



Turn dial to the left to lock the L Link Connector in place. Repeat for each vertical section.

